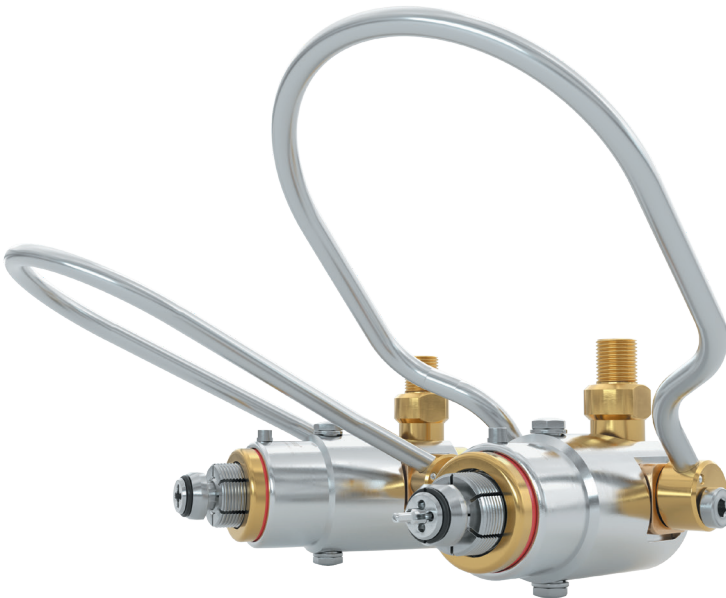


| Type **TW54**

WEH[®] Connector for filling gas cylinders with female threads (with or without residual pressure valve)

WEH[®] Adapter zum Füllen von Gasflaschen mit Innengewinde (mit oder ohne Restdruckventil)



LANGUAGES

AE	TYPE TW54	4
	WEH® Connector for filling gas cylinders with female threads (with or without residual pressure valve)	
DE	TYP TW54	34
	WEH® Adapter zum Füllen von Gasflaschen mit Innengewinde (mit oder ohne Restdruckventil)	

The German version is the original.

Manufacturer: WEH GmbH Verbindungstechnik – hereinafter referred to as “WEH”.

Die deutsche Version ist das Original.

Hersteller: WEH GmbH Verbindungstechnik - im Nachfolgenden „WEH“ genannt.

Type TW54

WEH® Connector for filling gas cylinders with female threads (with or without residual pressure valve)

CONTENTS

1.	INTRODUCTION	6
1.1	For your guidance	6
1.2	General information	7
1.3	Warranty and liability	7
1.4	General safety instructions	8
1.5	Definition of qualified personnel	9
2.	INTENDED USE	10
3.	PRODUCT OVERVIEW / PRODUCT DESCRIPTION	11
4.	TECHNICAL DATA	14
5.	STORAGE	15
5.1	Safety instructions for proper storage	15
5.2	Storage	16
6.	REQUIRED TOOLS	16
7.	INSTALLATION	17
7.1	Safety instructions for installation	17
7.2	Installing the media hose line	18
7.3	Checking the connection for leaks	18

8. OPERATION	19
8.1 Safety instructions for operation	19
8.2 Connection	20
8.3 Disconnection	23
9. INSPECTION MAINTENANCE	24
9.1 Safety instructions for inspection and maintenance	24
9.2 Maintenance intervals	25
9.3 Overview of minimum intervals for inspection and maintenance	26
9.4 Maintenance	28
10. LUBRICATION	30
10.1 Safety instructions for lubrication	30
10.2 Lubrication	30
11. TROUBLESHOOTING	31
12. DISPOSAL	33
13. ACCESSORIES SPARE PARTS	33

The German version is the original.

Manufacturer: WEH GmbH Verbindungstechnik – hereinafter referred to as “WEH”.

1. INTRODUCTION

Dear Customer,

Thank you for deciding to use our products.

The WEH® TW54 Connector has been specially developed for filling gas cylinders (200 bar and 300 bar) with female threads, with or without residual pressure valve.

Observe and follow all instructions and warnings in these operating instructions. Non-observance may result in personal injury and/or property damage.

1.1 For your guidance

The markings and symbols contained in these operating instructions have the following meanings:

- items are indicated by a dash
- ▶ calls for action are indicated by an arrow

Figures

The illustrations and/or images used in these operating instructions are particularly provided for illustrative purposes only and may differ in some details from the actual product. For binding information, please refer to your individual orders.

Abbreviations / Definitions

For explanation of abbreviations and definitions of terms see applicable Technical Appendix of the corresponding catalog or www.weh.com

Definition of signal words

Caution: Sections marked 'Caution' warn you of hazards that could result in minor, usually reversible, personal injury if you do not comply with the instruction.

Attention: Sections marked 'Attention' warn you of situations that could lead to property damage and disruptions in operation if you do not comply with the instruction.

Note: Sections marked 'Note' indicate that malfunctions in operation may occur if you do not comply with the instruction.

Please note: Sections marked with 'Please note' provide you with additional information for smooth operation.

1.2 General information

- ▶ First read these operating instructions to avoid misuse and resulting damage.
 - In these operating instructions you will find all the necessary information and instructions for the WEH® Product.
- ▶ Then check the contents of your delivery. Each delivery must contain:
 - a delivery note
 - an original WEH Test report (not applicable to spare parts)
 - WEH operating instructions
- ▶ If any documents are missing, please contact WEH or your responsible distributor.

1.3 Warranty and liability

- Our General Terms and Conditions apply.
- ▶ Read these operating instructions and safety instructions carefully and follow the information contained therein.
 - The information in these operating instructions reflects to the state of knowledge at the time of printing. Failure to comply may void the warranty. Any side agreements to these operating instructions require the written approval of the Head of the Quality Department at WEH.
 - Violation of these operating instructions result in the lapse of all warranty claims. WEH will accept no liability for consequential damage, in particular damage due to personal injury and/or other legal interests.

Caution: WEH® Products may only be repaired by WEH.

- ▶ Contact WEH or the responsible distributor if the WEH® Product requires maintenance. Special maintenance work that may be performed by the operator is described in these operating instructions and is specially marked.
- ▶ Only use original WEH® Spare parts. These are exactly suited to the WEH® Product and subject to strict quality controls.
- You yourself are solely responsible for the proper performance of the replacement or repair. WEH is not responsible for the performance or any damage and/or losses arising from it. WEH assumes no guarantee, warranty, product liability or other liability for any replacement or repair of the WEH® Product performed by you or a third party. If you or a third party does not have the necessary skills and qualification for proper performance, you must refrain from performing replacement or repair. Otherwise, there is a particular risk of endangering yourself and third parties.

1.4 General safety instructions

- ▶ Always comply with all applicable local, national and international requirements, stipulations, decrees, laws, standards, provisions, directives, norms, regulations, prohibitions and instructions as well as all applicable industrial, quality and technical standards. In particular, make sure that you and all users comply with the applicable requirements related to occupational health and safety as well as product safety requirements and that all required permissions, certificates and approvals have been obtained.
- ▶ These operating instructions should be provided to anyone responsible for the installation, operation and maintenance of this WEH® Product.
 - The WEH® Product and these operating instructions are intended for use by qualified personnel (see *Chapter 1.5*). Make these operating instructions available in particular to the qualified personnel responsible for the individual phases of the life cycle (especially for storage, installation, operation, inspection and maintenance, troubleshooting and disposal) of the WEH® Product. The qualified personnel must have read and understood these operating instructions.
- ▶ Contact WEH before using the WEH® Product if the instructions in these operating instructions are unclear in any way.
- ▶ Take appropriate safety measures if operating conditions exist that could endanger the user.
- ▶ In case of any damage that may affect the proper functioning of the WEH® Product, do not use the WEH® Product until the situation has been clarified. Disassembly of the WEH® Product may only be performed by WEH.
- ▶ Comply with the assembly data indicated in these operating instructions. Tightening with higher torques/assembly turns can result in damage or even fractures when the system is pressurized.
- ▶ Do not use any auxiliary materials or cleaning agents other than those indicated in these operating instructions. Using other auxiliary materials or cleaning agents may cause damage to the WEH® Product or to downstream components.
- WEH is not responsible for damage caused by external forces or other external influences.
- It is assumed that only transport and storage facilities suitable for the storage of the WEH® Product are used.

- ▶ Do not apply any external forces to the WEH® Product. Therefore, do not lean on the (connected) WEH® Product, do not hang on the WEH® Product and do not climb on the WEH® Product under any circumstances. In addition, refrain from hammering on the WEH® Product or similar. Such force effects can lead to damage to property and personal injury. Also ensure that the WEH® Product is protected from being stepped on or run over in any way.
- The WEH® Product can become very hot or very cold due to the possible fluids flowing through it, depending on the application and operating situation. In this regard, observe the national and international regulations on occupational health and safety to prevent injuries.

1.5 Definition of qualified personnel

- Qualified personnel, as defined by these instructions, are persons who, based on their professional training, their knowledge (including the relevant standards and regulations), experience and manual skills, can independently assess and properly perform assigned work tasks (in conjunction with WEH® Products) and can thus independently recognize and prevent potential dangers at an early stage.

2. INTENDED USE

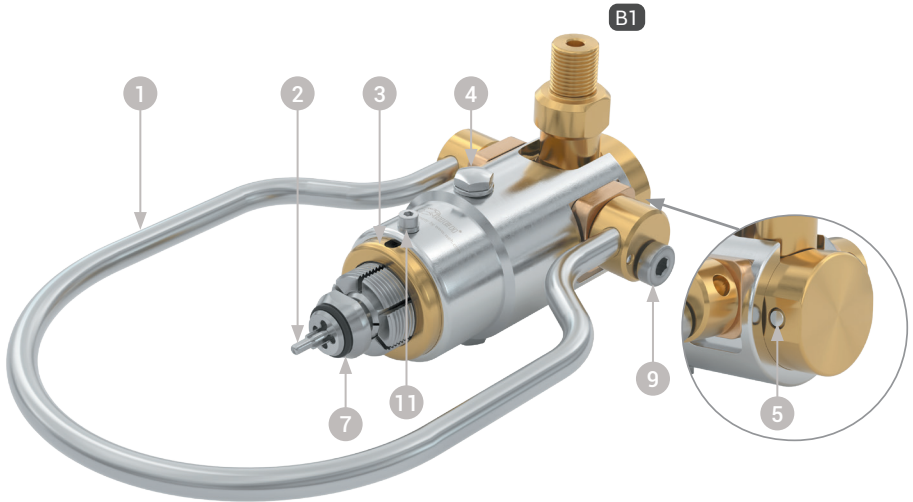
- The WEH® TW54 Connector has been specially developed for filling gas cylinders with female threads, with or without residual pressure valve. The connector comes in many different sizes and forms.
- If you have ordered a customized adaptation from us, the WEH® Connector has been specially adapted to the requirements and applications on which you have based your order. The underlying requirements and applications are only considered confirmed if they have been expressly agreed to in writing by WEH. The connector may not be used for applications and requirements other than those confirmed in writing by WEH.
- Mixed operation of media can lead to consequential damage, e.g. due to residues or contamination, especially in connection with oxygen. Therefore, make sure that the necessary framework conditions (e.g. purity) for operation with the respective medium are given.
- The WEH® Connector is not suitable for emptying gas cylinders under pressure.
- ▶ Always ensure that the WEH® Product is used only within the range of its intended use. Please note in particular the technical data of the WEH® Product in *Chapter 4* as well as the marking on the WEH® Product itself.
- This WEH® Product is generally classified as pressure accessory in accordance with Article 2 (5) of the Pressure Equipment Directive 2014/68/EU and is considered to be similar to piping. This WEH® Product may not be used as safety accessory. Furthermore, it is pointed out, that this WEH® Product is designed and placed on the market in accordance with the requirements of Article 4 (3) of the Pressure Equipment Directive 2014/68/EU. The assessment with regard to a different classification can, however, be made on request.

Caution: Any use beyond the scope of application is considered as unintended use and may result in personal injury and/or property damage.

3. PRODUCT OVERVIEW / PRODUCT DESCRIPTION

Product description

TW54 with spring-loaded residual pressure valve pin and bail actuation

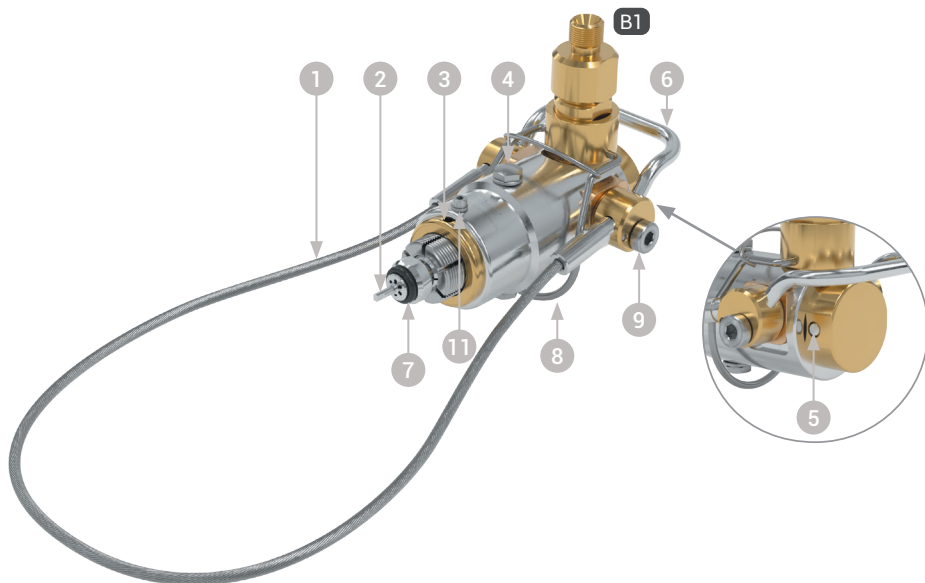


Pos.	Description
1	Bail actuation
2	RPV pin
3	Front part
4	Adjustment screw
5	Safety peg
7	Front seal
9	Fastening screw
11	Cylinder screw

Definition of ports

B1	Media inlet
----	-------------

TW54 with spring-loaded residual pressure valve pin, bail actuation, flexible wire rope and locking device



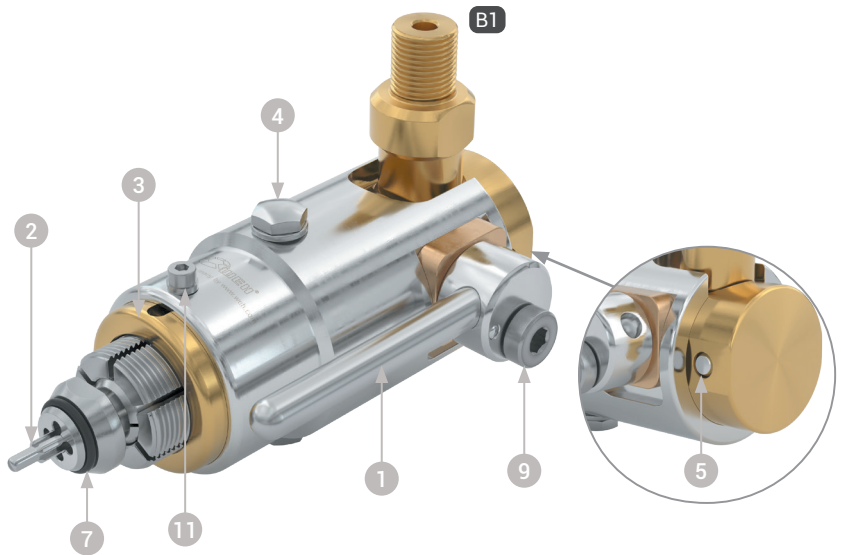
Pos.	Description
1	Flexible wire rope
2	RPV pin
3	Front part
4	Adjustment screw
5	Safety peg
6	Bail actuation
7	Front seal
8	Locking device
9	Fastening screw
11	Cylinder screw

Definition of ports

B1

Media inlet

TW54 with spring-loaded residual pressure valve pin and actuation lever



Pos.	Description
1	Actuation lever
2	RPV pin
3	Front part
4	Adjustment screw
5	Safety peg
7	Front seal
9	Fastening screw
11	Cylinder screw

Definition of ports

B1	Media inlet
----	-------------

4. TECHNICAL DATA

Please note: Depending on the application, the technical data of your WEH® Product may differ from these operating instructions. Please therefore observe the marking on the WEH® Product itself.

Characteristics	Basic version
Max. allowable operating pressure PS	250 bar resp. 375 bar*
Temperature range	+5 °C to +80 °C +5 °C to +60 °C (O ₂)
Connection A	Female thread connection based on the relevant country standard e.g. DIN, CGA, BS, NF etc.
Medium**	Nitrogen, oxygen, CO ₂ , air, noble gases, mixed gases, medical gases
Part materials	Wear-resistant stainless steel, corrosion-resistant surfaces, brass
Sealing materials	According to gas type
Design***	With or without RPV pin
Actuation***	Manual actuation via bail actuation, locking device etc.
Conformity / Tests / Approvals	- Adiabatic ignition test completed

* Please observe the pressure limits specified in the relevant cylinder valve standard.

These values may be lower than the max. allowable operating pressure of the WEH® Product.

** Other gases possible depending on the order confirmation

*** depending on the application

5. STORAGE

5.1 Safety instructions for proper storage

- ▶ Make sure that you always comply with these following safety instructions and storage time.
Attention: Improper storage of the WEH® Product can significantly reduce the maximum service life.
- ▶ Protect the WEH® Product against damage, contamination, inappropriate storage and excessive temperature fluctuations.
- ▶ Store the WEH® Product, the accessories and spare parts in the original packaging until they are used for the first time and during periods when they are not being used.
- ▶ Store the WEH® Product within a temperature range of +5 °C to +80 °C (+5 °C to +60 °C for O₂). Storage temperatures outside this range may affect the service life of the WEH® Product.
- ▶ Do not store the WEH® Product in the vicinity of heat sources. Avoid humidity and condensation. The ideal relative air humidity for storage is approx. 65%.
- ▶ Do not store the WEH® Product together in the same space with solvents, chemicals, acids, fuels or disinfectants.
- ▶ Protect the WEH® Product against light (especially against direct sunlight), oxygen, ozone, heat, UV rays, solvents and other negative environmental influences. The service life of parts made of elastomer or plastic may be substantially reduced by such environmental factors.
- ▶ Do not stack WEH® Products. For storage and retrieval, follow the first-in-first-out (FIFO) principle.

5.2 Storage

- ▶ Follow the safety instructions in *Chapter 5.1* and observe the following storage times. The appropriate storage period applies from the date of delivery (i.e. the date of invoicing or goods issue date as recorded by WEH or its sales partner). If the WEH® Product is installed in a complete system, the storage time depends on the component with the shortest storage time.

Up to 3 years	<p>▶ Before use, check the surfaces of the external seals for cracks. Attention: Any elastomer seals with fine cracks on the surface must be replaced. Note: If you should have any doubts about the aging state of the stored WEH® Product, please contact WEH. Attention: Before commissioning, check the WEH® Product for leak tightness. On this topic, see <i>Chapter 7. Installation on page 17.</i></p>
> 3 years	<p>- Before use, all elastomer seals must be replaced. ▶ For this, send the WEH® Product to WEH for maintenance.</p>

6. REQUIRED TOOLS

Part no.	Description	Installation	Maintenance & Lubrication
--	Suitable open-ended wrench (suitable for the relevant wrench size)	X	
--	Suitable calibrated torque wrench (suitable for the corresponding torque)	X	
W136538	WEH® O-ring picker set*		X
E99-44923	WEH® Lubricant		X

- * The WEH® O-ring picker is manufactured from plastic and has to be considered as a consumable product.

7. INSTALLATION

7.1 Safety instructions for installation

- ▶ Check the information provided in these operating instructions and the label on the WEH® Product. The information must conform to your application.
- ▶ Only connect the WEH® Product to faultless connections.
- ▶ Check the WEH® Product for transport damages, contamination and other damage. If you should detect anything wrong with the WEH® Product, it may no longer be used. Replace the WEH® Product or send it to WEH for maintenance.
- ▶ Remove transport securing devices (such as protection caps) before installing the WEH® Product. Transport securing devices serve the purpose of protecting the product and connection ports during transport and storage. The transport securing devices are not, for example, designed to withstand pressure or to be used as plugs.
- ▶ Ensure that the system is depressurized. Installation must only be effected in depressurized condition.
- ▶ Avoid using excessively short media hose lines and narrow bending radii. Lateral forces may cause leakages or damage to components and make it more difficult to attach the WEH® Connector properly.
- ▶ Use arrestor cables, partitions, etc. for additional safety where being used for hazardous applications or under hazardous conditions.
- ▶ Before installation, check if the counterparts are designed to withstand the assembly data (see *Chapter 7.2 Installing the media hose line*) that WEH determined for this WEH® Product.
Note: The assembly data (torques, assembly turns etc.) are values which apply exclusively to the components delivered by WEH.
- ▶ Position the WEH® Product in your system so that the red marking on the front part (pos. 3) is visible. This must be visible for the operator.

7.2 Installing the media hose line

Please note: Subsequent mentions of descriptions and position numbers refer to Chapter 3. *Product overview / product description on page 11.*

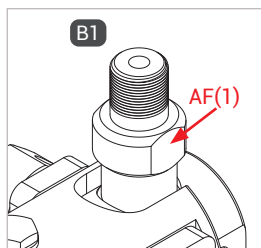


Figure 1

- ▶ Unscrew the protection cap from the port.
- ▶ When mounting the filling hose, hold an open-ended wrench against the wrench size AF(1) (Figure 1).
- ▶ Screw the media inlet "B1" pressure-tight onto the connection port of the filling hose (Figure 1). For the tightening torque, please refer to the table below. **Note:** For NPT thread, first wrap Teflon tape round the tapered screw fitting (1.5 layers). Screw it finger-tight into the port and install it in accordance with the information in the table below.

Connections male thread	Torque G thread	Assembly turns NPT thread*
NPT 1/4"	--	2.0–3.0
NPT 3/8"	--	2.0–3.0
M16x1.25	20 Nm ± 2 Nm	--
W21.8x1/14"	20 Nm ± 2 Nm	--
G1/4"	30 Nm ± 2 Nm	--
G3/8"	40 Nm ± 2 Nm	--
G1/2"	50 Nm ± 2 Nm	--

* One turn corresponds to 360°

- ▶ Please note the connection size marked on your product.
- Other connection sizes are available on request.

7.3 Checking the connection for leaks

- ▶ Connect the connector to a closed cylinder valve.
- ▶ Slowly apply the operating pressure to the connector and media hose line. **Caution:** The cylinder valve must be closed/locked.
- ▶ Check the connector, the connection to the media hose line and the connection to the cylinder valve for leak tightness.

8. OPERATION

8.1 Safety instructions for operation

Please note: Subsequent mentions of descriptions and position numbers refer to *Chapter 3. Product overview / product description on page 11.*

- ▶ Apply pressure to the WEH® Connector only once it has been connected to a cylinder valve.
- ▶ Do not use excessive force when actuating.
- ▶ Follow the steps in **exactly** the right order when connecting and disconnecting the WEH® Connector.
- ▶ Attach and detach the WEH® Connector only when it is not under pressure.
Note: The connector is equipped with a safety peg (pos. 5) The safety peg protrudes if subjected to pressure of between 15 bar and 20 bar. This will cause it to block the actuator. As a result, the connector cannot be disconnected under pressure. Once the filling operation has finished and the system is fully depressurized, the safety peg will retract again. Then you can easily return the actuator to its initial position. Unlocking the actuator before the equipment is fully depressurized and before the safety peg has fully retracted can result in damage to the safety peg.
- ▶ Connect the WEH® Connector only onto cylinder valves in perfect working order.
- ▶ Align the WEH® Connector correctly with the test piece to prevent damage to the front seal caused by any sharp edges that the test piece may have.
- ▶ Once the connection has been made, always test the connection by tugging a little on the WEH® Connector to make sure that is fully engaged and that the clamping jaws are gripping correctly before introducing the pressurized test medium.
- ▶ The clamping jaws of the WEH® Connector are designed to grip the cylinder valve firmly. Keep fingers and other objects away from the clamping jaws when actuating the connector.
Caution: Possible consequences of failing to observe this instruction may include:
 - Risk of fingers being crushed while connecting
 - Risk of personal injury and damage to property by parts that may become detached under high pressure
 - Risk of personal injury by media escaping at high pressure
 - Risk to human safety by hoses not being secured
- ▶ Keep the WEH® Connector free of oil, grease and dust.
Attention: Contamination in the gas channel can cause oxygen combustion.

- ▶ The WEH® Connector is not fitted with an integrated shut-off valve and thus will not prevent loss of medium in case of improper connection or after disconnecting. Apply pressure to the connector only once it has been properly connected. It is important to disconnect the connector only under absolutely safe conditions. In particular, the connector must be fully depressurized during the connection process.

8.2 Connection

Connecting a TW54 with bail actuation and actuation lever

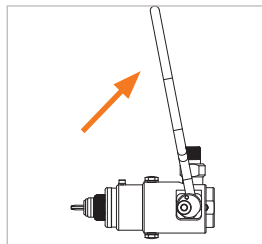


Figure 2

- ▶ Fold the actuation unit (pos. 1) upwards (Figure 2). The clamping jaws will close together.
- ▶ Insert the connector loosely and straight into the cylinder valve until a noticeable seal contact has been established (Figure 3). Doing so will prevent any damage to the front seal caused by any sharp edges on the cylinder valve and ensure a correct connection.

Attention: Make sure that the connector is pressed onto the cylinder valve until a noticeable seal contact has been established.

Note: Insert the connector with RPV pin into the cylinder valve until the RPV pin is pushed open in the cylinder valve and the sealing piston creates a seal.

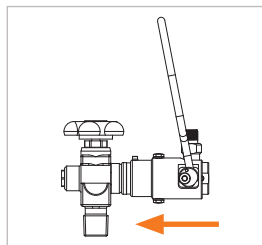


Figure 3

- ▶ Fold the actuation unit (pos. 1) downwards. It must be possible to lower the bail/lever easily and without any force. In its end position, the actuation unit must be below the horizontal of the connector (Figure 4). The red marking on the front part (pos. 3) must disappear under the housing and must no longer be visible (Figure 5 and Figure 6).

Attention: If the clamping jaws do not grip correctly in the cylinder valve, if the actuation unit is not below the horizontal or if the red marking on the front part is visible, then the connector is not properly connected. The connector may spring out of place and medium may escape.

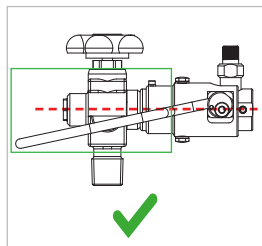


Figure 4

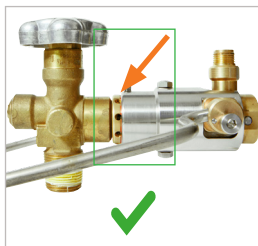


Figure 5

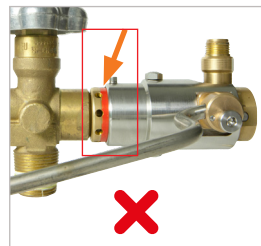


Figure 6

- ▶ Pull lightly on the connector in the direction opposite that of the connection to make sure that the connector is firmly in place.
- The connector is now connected pressure-tight to the cylinder valve.
- ▶ Open the cylinder valve.
- ▶ To start the filling procedure, apply pressure to media inlet "B1".
Attention: The safety peg (pos. 5) at the connector must be extended after pressure is applied. The actuator is blocked, the connector cannot be disconnected when it is pressurized.

Connecting a TW54 with bail actuation, flexible wire rope and locking device

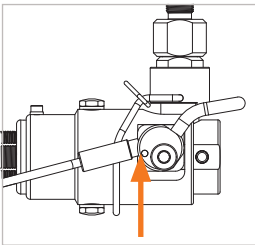


Figure 7

- ▶ Press the locking device (pos. 8) upwards (*Figure 7*).
- ▶ Fold the bail actuation (pos. 6) downwards. The flexible wire rope will fold upwards and the clamping jaws will close together (*Figure 8*).
- ▶ Insert the connector loosely and straight into the cylinder valve until a noticeable seal contact has been established (*Figure 9*). Doing so will prevent any damage to the front seal caused by any sharp edges on the cylinder valve and ensure a correct connection.

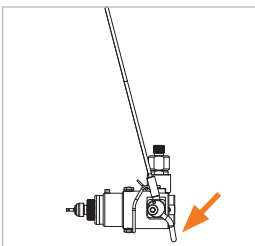


Figure 8

Attention: Make sure that the connector is pressed onto the cylinder valve until a noticeable seal contact has been established.

Note: Insert the connector with RPV pin into the cylinder valve until the RPV pin is pushed open in the cylinder valve and the sealing piston creates a seal.

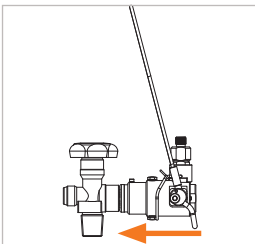


Figure 9

- ▶ Fold the bail actuation (pos. 6) upwards. It must be possible to lift the bail easily and without any force. In its end position, the wire rope must be below the horizontal of the connector (*Figure 10*). The red marking on the front part (pos. 3) must disappear under the housing and must no longer be visible (*Figure 11* and *Figure 12*).

Attention: If the clamping jaws do not grip correctly in the cylinder valve, if the wire rope is not below the horizontal or if the red marking on the front part is visible, then the connector is not properly connected. The connector may spring out of place and medium may escape.

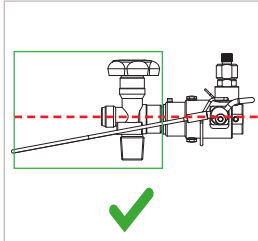


Figure 10

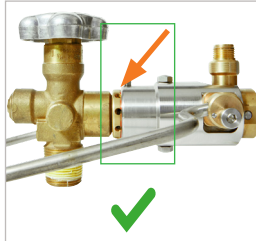


Figure 11

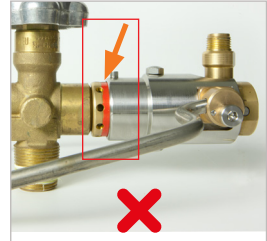


Figure 12

- ▶ Pull lightly on the connector in the direction opposite that of the connection to make sure that the connector is firmly in place.
 - The connector is now connected pressure-tight to the cylinder valve.
- ▶ Open the cylinder valve.
- ▶ To start the filling procedure, apply pressure to media inlet "B1".

Attention: The safety peg (pos. 5) at the connector must be extended after pressure is applied. The actuator is blocked, the connector cannot be disconnected when it is pressurized.

8.3 Disconnection

- ▶ After completing the filling procedures and thorough venting of the media hose line, close the connector up again.
Caution: First depressurize the system before releasing the connection.
Attention: The system must be fully depressurized so that the safety peg (pos. 5) on the connector can retract and the actuator is no longer blocked.

Connecting a TW54 with bail actuation and actuation lever

- ▶ Guide the actuation unit (pos. 1) upwards as far as it will go. The clamping jaws will close together.
Note: The safety peg (pos. 5) at the connector must be fully retracted. Actuating before the equipment is fully depressurized and before the safety peg has fully retracted can result in damage to the safety peg.
- ▶ Pull the connector **straight** back. Doing so will prevent any damage to the front seal caused by any sharp edges on the cylinder valve.
Attention: In the event that you cannot remove the connector:
 - Wait a few moments
 - Never use excessive force
 - Do not use any tools (e.g. hammer)
 - Make sure that the connector is depressurized. The safety peg (pos. 5) at the connector must be fully retracted.

Disconnecting a TW54 with bail actuation, flexible wire rope and locking device

- ▶ Press the locking device (pos. 8) upwards. Fold the bail actuation (pos. 6) downwards. The flexible wire rope will fold upwards and the clamping jaws will close together.
Note: The safety peg (pos. 5) at the connector must be fully retracted. Actuating before the equipment is fully depressurized and before the safety peg has fully retracted can result in damage to the safety peg.
- ▶ Pull the connector **straight** back. Doing so will prevent any damage to the front seal caused by any sharp edges on the cylinder valve.
Attention: In the event that you cannot remove the connector:
 - Wait a few moments
 - Never use excessive force
 - Do not use any tools (e.g. hammer)
 - Make sure that the connector is depressurized. The safety peg (pos. 5) at the connector must be fully retracted.

9. INSPECTION | MAINTENANCE

Please note: Subsequent mentions of descriptions and position numbers refer to *Chapter 3. Product overview / product description on page 11.*

Attention: If damage to the WEH® Product or restrictions to its functionality are detected, measures as set out in *Chapter 11. Troubleshooting on page 31* must be taken. Damaged or leaking WEH® Products must be sent to WEH for maintenance.

9.1 Safety instructions for inspection and maintenance

- The WEH® Product must be depressurized and dismantled for maintenance work.
- ▶ Check the WEH® Product for leakage after maintenance work. Please refer to *Chapter 7. Installation on page 17.*
- For inspection purposes, it is not necessary for the WEH® Product to be dismantled, but it must be depressurized.
- ▶ Only use original WEH® Spare parts. These are exactly suited to the intended application and subject to strict quality controls.
- ▶ Do not damage sealing surfaces or sealing components.
- ▶ Before reassembling; check the components, threads and, if present, the sealing surfaces for damage and contamination. Should you find any damage, replace the WEH® Product or send it to WEH for maintenance. Stop using the WEH® Product immediately.
- ▶ Keep the WEH® Product and spare parts completely free of oil, grease and dust.
Attention: Contamination in the gas channel can cause oxygen combustion.
- ▶ Before each reassembly, clean the WEH® Product and the corresponding components by blowing off with oil-free compressed air and remove any adhering dirt using a damp, soft and lint-free cloth.
Do not use solvents. Use only clean water as cleaning agent.
Attention: Use only oil-free compressed air to blow away the dirt.
Note: Make sure that no cleaning agent enters the gas channel.
- ▶ Avoid contact with any mineral oil-based chemicals. These can contaminate and damage the WEH® Product.

- ▶ During maintenance or when handling components for oxygen devices, observe the following points:
 - Keep your hands free of oil and grease
 - Keep your hands and face free of creams and other cosmetic products
 - Wear clean work clothing

9.2 Maintenance intervals

- ▶ Inspect the WEH® Product at regular intervals depending on the respective operating conditions, but at least every 3 months. After 20,000 cycles or 3 years at the latest, depending on what happens first, starting from the date of delivery (invoice/goods issue date by WEH or the distributor), the WEH® Product must be sent to WEH for maintenance.
These intervals can also be significantly shorter, which depends especially on your individual application/use. Therefore, in case of abnormalities – especially during regular inspection – send the WEH® Product immediately to WEH for maintenance. If the WEH® Product is not regularly inspected and sent to WEH for maintenance, leakage may occur and under certain circumstances this may result in failures and/or accidents.

9.3 Overview of minimum intervals for inspection and maintenance

No.	Inspection	Initial (before commissioning the 1st time)	Daily	Weekly	Monthly	After every 1,000 cycles
1	Check that the residual pressure valve pin is sitting correctly and undamaged	X	X			
2	Check front seal for damage and dirt accumulation	X	X			
3	Check safety peg for correct functioning	X	X			
4	Check exterior for damage and dirt	X		X		
5	Check actuation unit for damage and correct functioning	X		X		
6	Check clamping jaws for damage and dirt accumulation	X		X		
7	Check connector and media inlet for leakage (see <i>Chapter 7. Installation</i>)	X		X		
8	Check that the cylinder screw is seated firmly	X		X		
9	Check swivel joint for wear, dirt and correct functioning	X			X	
10	Check that adjustment screw is seated firmly	X				X

No.	Maintenance	Monthly	After every 1,000 cycles	After 3 years or 20,000 cycles*
11	Lubrication of the actuator (see Chapter 10. Lubrication)	X		
12	Replace the front seal (see Chapter 9.4.1 Replacement of front seal (pos. 7))		X	
13	Return to WEH for in-factory maintenance			X

* whichever comes first

Note: Component arrangement see Chapter 3. Product overview / product description on page 11.

- ▶ If your application requires, set shorter intervals than indicated above. A significant shortening of the minimum intervals is particularly necessary if abnormalities are found during the inspections.

9.4 Maintenance

Please note: Subsequent mentions of descriptions and position numbers refer to *Chapter 3. Product overview / product description on page 11.*

- ▶ If you detect any leaks or malfunction, replace the WEH® Product or send it to WEH for maintenance. Stop using the product immediately.

The following maintenance work may be carried out by the operator:

- ▶ Inspect the WEH® Product for leak tightness and correct function – ease of movement, sufficient lubrication with substances approved by WEH for this application (see *Chapter 10. Lubrication on page 30*), wear, contamination, damage.
- ▶ Check the surface of the front seal (pos. 7). If any tears, cracks or damage are visible on the front seal, replace it. Please refer to *Chapter 9.4.1 Replacement of front seal (pos. 7) on page 29.*
- ▶ Regularly check the clamping jaws for dirt accumulation. Dirt particles can interfere with the clamping and sealing function, posing a potential hazard.
- ▶ Check the correct function of the safety peg (pos. 5). The safety peg must protrude when subjected to a pressure between 15 bar and 20 bar. The safety peg must retract again when the pressure is reduced. If the safety peg does not function properly, or if it is bent, send the product back to WEH for maintenance.
- ▶ Check the residual pressure valve pin (pos. 2), if provided, for tightness and any damage. If the RPV pin is loose, damaged or bent, send the product back to WEH for maintenance.
- ▶ Check the actuation unit (pos. 1) for ease of motion, correct functioning and damage. If the actuator is difficult to move, lubricate the actuator according to *Chapter 10. Lubrication on page 30.* If the actuator is damaged, send the product back to WEH for maintenance.
- ▶ Every time the seal is replaced, check the tightening torque of the adjustment screw on the connector housing (pos. 4). Tightening torque 20 Nm.
- ▶ Check the swivel joint regularly for wear of the seals, dirt accumulation and sluggishness, if one has been provided. Replace the swivel joint if there is any visible damage or wear to be seen on it. The swivel joint can be mounted and dis-mounted using the wrench size.
Tightening torque 20 Nm ± 2 Nm.

9.4.1 Replacement of front seal (pos. 7)

- ▶ Position the WEH® Connector vertically and fold the actuator (pos. 1) down so that the connector is ready for connection.



- ▶ Insert a suitable repair tool behind the front seal (pos. 7) with the WEH® O-ring picker, part no. E98-101969, and remove it from the recess.

Caution: Make sure not to damage the surface of the front seal recess when removing the old front seal.



- ▶ Insert the new front seal (pos. 7) into the thoroughly cleaned recess. Make sure that the front seal is not twisted and is properly seated in the recess.

Caution: The front seal may not be lubricated.

Caution: Do not use any sharp tools while assembling. Doing so may damage the front seal.



- ▶ Check the tightening torque of the adjustment screw on the connector housing (pos. 4). Tightening torque 20 Nm.
- ▶ Check the connector for leak tightness before use. Please note *Chapter 7.3 Checking the connection for leaks* on page 18.

10. LUBRICATION

Please note: Subsequent mentions of descriptions and position numbers refer to *Chapter 3. Product overview / product description on page 11.*

10.1 Safety instructions for lubrication

- ▶ Take care not to damage sealing surfaces or sealing components when lubricating.
- ▶ Only use WEH® Lubricant part no. E99-44923 for lubrication.

10.2 Lubrication

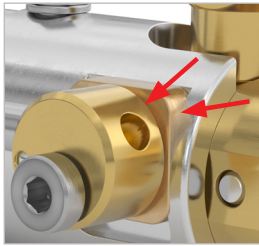


Figure 13

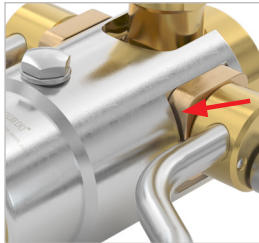


Figure 14

- ▶ Apply a thin film of WEH® Lubricant between the cams (red arrow, *Figure 13* and *Figure 14*).
Attention: The lubricant must not be allowed to enter the gas channel.
- ▶ Actuate the connector multiple times to distribute the lubricant accordingly.

11. TROUBLESHOOTING

No.	Fault	Can be recognized by	Possible cause	Remedial measures
1	Gas leak during filling operation, decreasing with increasing pressure	Sounds of escaping gas	Incorrect connection	Stop the filling operation, reconnect the connector
			Inlet too rigid	fit a flexible hose, for example
1	Gas leak when pressure increases	Sounds of escaping gas	Incorrect connection	Stop the testing operation, reconnect the connector
			Faulty front seal	Stop the testing operation Replace the front seal, see <i>Chapter 9.4.1</i>
			Damaged cylinder valve	Decide whether to interrupt the filling operation or to continue it Replace cylinder valve
2	Safety peg does not emerge from the connector when the pressure builds up	The actuation lever cannot be opened	Safety peg bent	End the filling operation, send the connector to WEH for maintenance
			The filling pressure has not yet reached 15 bar	The filling pressure must equal 15–20 bar for the safety peg to emerge
			Insufficient lubrication Contaminated safety peg	Replace the connector before next filling operation, send the connector to WEH for maintenance
			The system is not depressurized enough	Check if cylinder valve is closed Continue to depressurize
			Safety peg becomes jammed due to dry-running	Send the connector to WEH for maintenance
			Safety peg becomes jammed due to damage	Press the safety peg into the connector by hand or carefully using a tool. Send the connector to WEH for maintenance
2	The safety peg does not retract	The actuation lever cannot be opened	The system is not depressurized enough	Check if cylinder valve is closed Continue to depressurize
			Safety peg becomes jammed due to dry-running	Send the connector to WEH for maintenance
2	The safety peg does not retract	The actuation lever cannot be opened	Safety peg becomes jammed due to damage	Press the safety peg into the connector by hand or carefully using a tool. Send the connector to WEH for maintenance
			Safety peg becomes jammed due to damage	Press the safety peg into the connector by hand or carefully using a tool. Send the connector to WEH for maintenance

No.	Fault	Can be recognized by	Possible cause	Remedial measures
3	Deformation on the sliding sleeve, actuation unit or connector parts	Difficult to move during actuation	Contact with cylinder cap when moving pallets in and out	Replace the connector immediately and send to WEH for maintenance
		Sound of escaping gas on housing or fitting		
4	Actuator is loose	Marked lateral wobbling of actuator	Allen screw on the cam of the actuator has become loose	Tighten the screw with 7 Nm, send the connector to WEH for maintenance if necessary
5	Connecting thread leaking	Sounds of escaping gas	Fittings have become loose	Tighten the fittings with the indicated torque, see <i>Chapter 7. Installation</i>
	Swivel joint leaking		Contamination or wear of the inner seals	Send the connector to WEH for maintenance
	Safety peg leaking		Wear	First check the cylinder valve with the thread gauge; if it is defective, replace the cylinder valve. If the valve is in good condition, the connector is defective. Send the connector to WEH for maintenance
6	Segments of the clamping jaw do not separate widely enough	Device is seated too loosely, it wobbles in the valve thread	Wear of the connector cam	Replace the connector immediately and send to WEH for maintenance
	Connector is loose despite proper connection			
7	Fewer than 4 threads at the valve connection are engaged	Threads are visible at the end of the valve		

If you should encounter any other problems, please contact WEH or your responsible distributor.

12. DISPOSAL

- ▶ Dispose of the WEH® Product appropriately when you no longer need it. Observe all national and local regulations on disposal applicable at the time of disposal.

13. ACCESSORIES | SPARE PARTS

Adaptors

Various adaptors are available to connect the 'B1' media inlet of the WEH® Product to the filling hose.

Actuation

Various actuation units such as bails, wire ropes etc. are available in different shapes and sizes for the WEH® Product.

Locking devices

Additional locking devices are also available for the WEH® Product.

WEH® TD1 swivel joint

A swivel joint is available for the WEH® Product. The swivel joint enables radial alignment of the connector when connecting to the cylinder valve thread, thus simplifying the connection procedure even further. Twisted hoses are prevented.

WEH® Quick release coupling TK350-TN350

Quick release coupling for quickly and easily exchanging the WEH® Product for repairs, to switch to other standards and to switch from residual pressure to non-residual pressure connectors. The quick release coupling can also be used as a swivel joint.

Part No.	Description	B1 (male thread)	B2 (female thread)
C1-91239-X01	TK350 Quick release coupling	-	M16x1.5
C1-91241-X01	TN350 Quick release nipple	M16x1.5	-

Spare parts

The following parts are available for maintenance of the WEH® Product:

Part No.	Position	Description
On request	Pos. 7	Front seal

- ▶ When placing your order, please indicate the part no. marked on the WEH® Product itself.
Please note: For the correct use of WEH® Spare parts, please refer to *Chapter 9. Inspection | Maintenance on page 24.*

Typ TW54

WEH® Adapter zum Füllen von Gasflaschen mit Innengewinde (mit oder ohne Restdruckventil)

INHALT

1.	EINLEITUNG	36
1.1	Zu Ihrer Orientierung	36
1.2	Allgemeine Angaben	37
1.3	Gewährleistung und Haftung	37
1.4	Allgemeine Sicherheitshinweise	38
1.5	Definition von Fachpersonal	39
2.	BESTIMMUNGSGEMÄSSE VERWENDUNG	40
3.	PRODUKTÜBERSICHT / PRODUKTBESCHREIBUNG	41
4.	TECHNISCHE DATEN	44
5.	LAGERN	45
5.1	Sicherheitshinweise zum sachgerechten Lagern	45
5.2	Lagern	46
6.	BENÖTIGTE HILFSMITTEL	46
7.	INSTALLIEREN	47
7.1	Sicherheitshinweise zum Installieren	47
7.2	Medienleitung installieren	48
7.3	Dichtheit der Verbindung prüfen	48

8.	BEDIENEN	49
8.1	Sicherheitshinweise zum Bedienen	49
8.2	Anschließen	50
8.3	Abschließen	53
9.	INSPIZIEREN WARTEN	54
9.1	Sicherheitshinweise zum Inspizieren und Warten	54
9.2	Wartungsintervalle	55
9.3	Übersicht Mindestintervalle für Inspektion und Wartung	56
9.4	Warten	58
10.	SCHMIEREN	60
10.1	Sicherheitshinweise zum Schmieren	60
10.2	Schmieren	60
11.	FEHLERBEHEBEN	61
12.	ENTSORGEN	63
13.	ZUBEHÖR ERSATZTEILE	63

Die deutsche Version ist das Original.

Hersteller: WEH GmbH Verbindungstechnik - im Nachfolgenden „WEH“ genannt.

1. EINLEITUNG

Sehr geehrter Kunde,

Wir freuen uns, dass Sie sich für den Einsatz unseres Produktes entschieden haben. Der WEH® Adapter TW54 wurde zum Füllen von Gasflaschen (200 bar und 300 bar) mit Innengewinde, mit oder ohne Restdruckventil entwickelt.

Beachten und befolgen Sie sämtliche Hinweise und Warnungen in dieser Betriebsanleitung. Eine Nichteinhaltung kann zu Personen- und/oder Sachschäden führen.

1.1 Zu Ihrer Orientierung

Die in dieser Betriebsanleitung verwendeten Kennzeichen und Symbole haben folgende Bedeutung:

- Aufzählungen sind durch einen Strich gekennzeichnet
- ▶ Handlungsaufforderungen sind durch einen Pfeil gekennzeichnet

Abbildungen

Die in dieser Betriebsanleitung verwendeten Abbildungen dienen nur zur Veranschaulichung und können in einigen Einzelheiten vom tatsächlichen Produkt abweichen. Verbindliche Angaben entnehmen Sie bitte den jeweiligen Einzelaufträgen.

Abkürzungen / Begriffsdefinitionen

Erläuterung der Abkürzungen sowie Begriffsdefinitionen finden Sie im mitgeltenden Technischen Anhang des entsprechenden Katalogs oder unter www.weh.com

Definition von Signalwörtern

Vorsicht: Eine mit „Vorsicht“ gekennzeichnete Passage warnt Sie vor Gefahren, die zu einer leichten, in der Regel reversiblen Verletzung von Personen führen kann, falls Sie diesen Hinweis nicht beachten.

Achtung: Eine mit „Achtung“ gekennzeichnete Passage warnt Sie vor Situationen, die zu Sachschäden und Störungen im Betriebsablauf führen können, falls Sie diesen Hinweis nicht beachten.

Hinweis: Eine mit „Hinweis“ gekennzeichnete Passage weist Sie auf darauf hin, dass es zu Störungen im Betriebsablauf kommen kann, falls Sie diesen Hinweis nicht beachten.

Bitte beachten: Eine mit „Bitte beachten“ gekennzeichnete Passage gibt Ihnen zusätzliche Hinweise für einen reibungslosen Betriebsablauf.

1.2 Allgemeine Angaben

- ▶ Lesen Sie zuerst diese Betriebsanleitung, um Fehlanwendung und dadurch bedingte Schäden zu vermeiden!
- In dieser Betriebsanleitung erhalten Sie alle notwendigen Informationen und Anleitungen zum WEH® Produkt.
- ▶ Überprüfen Sie anschließend Ihre Lieferung. Jeder Lieferung muss beiliegen:
 - ein Lieferschein
 - ein Original WEH Prüfprotokoll (nicht bei Ersatzteilen)
 - eine WEH Betriebsanleitung
- ▶ Wenden Sie sich umgehend an WEH oder den entsprechenden Vertriebspartner, falls Ihnen Unterlagen fehlen.

1.3 Gewährleistung und Haftung

- Es gelten unsere allgemeinen Geschäftsbedingungen.
- ▶ Lesen Sie die Betriebsanleitung und die Sicherheitshinweise sorgfältig durch und beachten Sie die darin gemachten Angaben.
- Die Angaben dieser Betriebsanleitung entsprechen den zum Zeitpunkt der Drucklegung vorhandenen Kenntnissen. Eine Nichtbefolgung führt zum Verlust der Gewährleistung. Sämtliche andere Vereinbarungen bedürfen der schriftlichen Zustimmung der Leitung der Abteilung Qualität bei WEH.
- Bei Verstoß gegen diese Betriebsanleitung erlöschen sämtliche Gewährleistungsansprüche. WEH übernimmt ferner keinerlei Haftung für Mangelfolgeschäden, insbesondere Schäden an anderen Rechtsgütern und/oder Personenschäden.

Vorsicht: WEH® Produkte dürfen nur von WEH instand gesetzt werden.

- ▶ Kontaktieren Sie WEH oder den zuständigen Vertriebspartner, falls das WEH® Produkt gewartet werden muss. Spezielle Wartungsarbeiten, die der Betreiber selbst durchführen darf, sind in dieser Betriebsanleitung beschrieben und speziell gekennzeichnet.
- ▶ Verwenden Sie nur Original WEH® Ersatzteile. Diese sind auf das WEH® Produkt genau abgestimmt und unterliegen strengen Qualitätskontrollen.
- Sie sind für die ordnungsgemäße Durchführung des Austausches bzw. der Reparatur selbst verantwortlich. WEH ist hierfür sowie für etwaige Beschädigungen oder Schäden nicht verantwortlich. WEH übernimmt keinerlei Garantie, Gewährleistung, Haftung, oder sonstige Verantwortung für einen von Ihnen oder Dritten durchgeführten Austausch bzw. Reparatur oder durchgeführte technische Änderungen des WEH® Produkts. Falls Sie oder Dritte nicht über die erforderliche Eignung und Qualifikation für die ordnungsgemäße Durchführung verfügen, nehmen Sie von einem Austausch bzw. einer Reparatur unbedingt Abstand. Andernfalls besteht insbesondere das Risiko, dass Sie sich und Dritte gefährden.

1.4 Allgemeine Sicherheitshinweise

- ▶ Halten Sie stets alle anwendbaren lokalen, nationalen und internationalen Anforderungen, Bestimmungen, Erlasse, Gesetze, Normen, Regelungen, Richtlinien, Standards, Verordnungen, Verbote und Vorschriften sowie alle anwendbaren Industrie-, Qualitäts- und Technik-Normen ein. Stellen Sie hierbei insbesondere sicher, dass Sie und sämtliche Nutzer die anwendbaren Anforderungen aus dem Arbeitsschutz, der Arbeitssicherheit und der Produktsicherheit einhalten sowie dass alle erforderlichen Genehmigungen, Zertifikate und Zulassungen vorliegen.
- ▶ Stellen Sie diese Betriebsanleitung insbesondere jedem zur Verfügung, der für die Installation, Bedienung und Wartung dieses WEH® Produktes zuständig ist.
 - Das WEH® Produkt und diese Betriebsanleitung sind für die Verwendung durch Fachpersonal (siehe *Kapitel 1.5*) vorgesehen. Stellen Sie diese Betriebsanleitung insbesondere dem Fachpersonal zur Verfügung, das für die einzelnen Phasen des Lebenszyklus (speziell für das Lagern, Installieren, Bedienen, Inspizieren und Warten, die Fehlerbehebung und Entsorgung) des WEH® Produktes zuständig ist. Das Fachpersonal muss diese Betriebsanleitung gelesen und verstanden haben.
- ▶ Wenden Sie sich an WEH bevor Sie das WEH® Produkt einsetzen, sollten Anweisungen in dieser Betriebsanleitung unklar sein.
- ▶ Ergreifen Sie entsprechende Sicherheitsmaßnahmen, falls Bedingungen vorliegen, die den Anwender in Gefahr bringen können.
- ▶ Setzen Sie das WEH® Produkt bei Beschädigungen, welche die einwandfreie Funktion des WEH® Produktes betreffen können, bis zur Klärung des Falles nicht ein. Eine Demontage des WEH® Produktes darf nur durch WEH erfolgen.
- ▶ Beachten Sie die in der Betriebsanleitung angegebenen Montagedaten. Höhere Drehmomente/Montagedrehungen können zu Beschädigungen bzw. zu Brüchen bei Druckbeaufschlagung führen.
- ▶ Verwenden Sie keine anderen Hilfs- bzw. Reinigungsmittel als in dieser Betriebsanleitung vorgegeben. Die Verwendung von anderen Hilfs- bzw. Reinigungsmitteln kann zu Schäden am WEH® Produkt bzw. an nachgelagerten Komponenten führen.
 - Für Schäden, die durch äußere Kräfte oder andere äußere Einwirkungen entstehen, ist WEH nicht verantwortlich.
 - Sachgemäßer Transport und fachgerechte Lagerung des WEH® Produktes werden vorausgesetzt.

- ▶ Bringen Sie auf das WEH® Produkt keine äußeren Kräfte auf. Stützen Sie sich daher weder auf dem (angeschlossenen) WEH® Produkt ab, lehnen Sie sich nicht daran an, hängen Sie sich nicht an das WEH® Produkt und steigen Sie keinesfalls auf das WEH® Produkt. Unterlassen Sie zudem auf das WEH® Produkt zu hämmern oder Ähnliches. Derartige Krafteinwirkungen können zu Sach- und Personenschäden führen. Stellen Sie zudem sicher, dass das WEH® Produkt vor Betreten oder Überfahren jeglicher Art geschützt ist.
- Das WEH® Produkt kann durch die möglichen hindurch strömenden Fluide, je nach Anwendung und Betriebssituation, sehr heiß oder sehr kalt werden. Beachten Sie diesbezüglich die nationalen und internationalen Regelungen zum Arbeitsschutz, um Verletzungen vorzubeugen.

1.5 Definition von Fachpersonal

- Fachpersonal im Sinne dieser Anleitung sind Personen, die auf Grund Ihrer fachlichen Ausbildung, Ihrer Kenntnisse (inklusive der einschlägigen Normen und Vorschriften), Ihrer Erfahrung und Ihrer handwerklichen Fähigkeiten die Ihnen im Zusammenhang mit WEH® Produkten übertragenen Aufgaben und Arbeiten eigenständig beurteilen und ordnungsgemäß ausführen können und hierbei auch eigenständig in der Lage sind, etwaige Gefahren frühzeitig zu erkennen und zu vermeiden.

2. BESTIMMUNGSGEMÄSSE VERWENDUNG

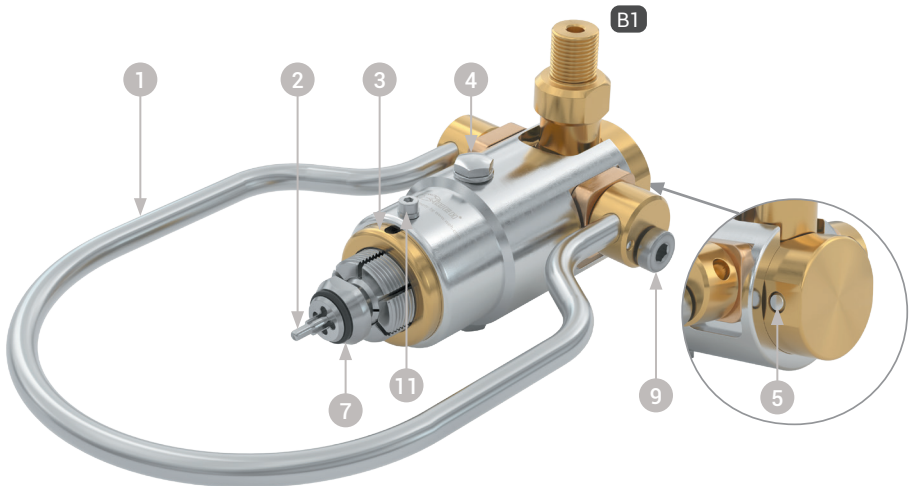
- Der WEH® Adapter TW54 wurde zum Füllen von Gasflaschen mit Innengewinde, mit oder ohne Restdruckventil entwickelt. Es gibt den Adapter in vielen verschiedenen Größen und Formen.
- Falls Sie bei uns eine kundenspezifische Anpassung beauftragt haben, wurde der WEH® Adapter speziell an die von Ihnen in Ihrer Bestellung zu Grunde gelegten Anforderungen und Anwendungen angepasst. Die zugrunde gelegten Anforderungen und Anwendungen gelten nur als bestätigt, insofern diesen ausdrücklich und schriftlich durch WEH zugestimmt wurde. Der Adapter darf für andere Anwendungen und Anforderungen, als die von WEH schriftlich Bestätigten nicht verwendet werden.
- Ein Mischbetrieb von Medien kann z. B. aufgrund von Rückständen oder Verschmutzungen zu Folgeschäden führen, insbesondere in Verbindung mit Sauerstoff. Stellen Sie deshalb sicher, dass die notwendigen Rahmenbedingungen (z. B. Reinheit) für den Betrieb mit dem jeweiligen Medium gegeben sind.
- Der WEH® Adapter ist nicht für das Entleeren von Gasflaschen unter Druck geeignet.
- ▶ Stellen Sie stets sicher, dass das WEH® Produkt ausschließlich innerhalb der bestimmungsgemäßen Verwendung zum Einsatz kommt. Beachten Sie hierfür insbesondere die technischen Daten des WEH® Produktes im *Kapitel 4* sowie die Kennzeichnung auf dem WEH® Produkt selbst.
- Dieses WEH® Produkt ist grundsätzlich als druckhaltendes Ausrüstungsteil gemäß Artikel 2 Nr. 5 der Druckgeräte-Richtlinie 2014/68/EU eingestuft und wird als rohrleitungsähnlich betrachtet. Dieses WEH® Produkt darf nicht eingesetzt werden als Ausrüstungsteil mit Sicherheitsfunktion. Ferner wird darauf hingewiesen, dass dieses WEH® Produkt gemäß den Anforderungen des Artikels 4 Absatz 3 der Druckgeräte-Richtlinie 2014/68/EU ausgelegt und in Verkehr gebracht wird. Die Bewertung bzgl. einer anderweitigen Einstufung kann jedoch auf Anfrage erfolgen.

Vorsicht: Jede über den Einsatzbereich hinausgehende Verwendung gilt als nicht bestimmungsgemäß und kann zu Personen- und/oder Sachschäden führen.

3. PRODUKTÜBERSICHT / PRODUKTBESCHREIBUNG

Produktbeschreibung

TW54 mit gefedertem RPV-Pin und Betätigungsbügel

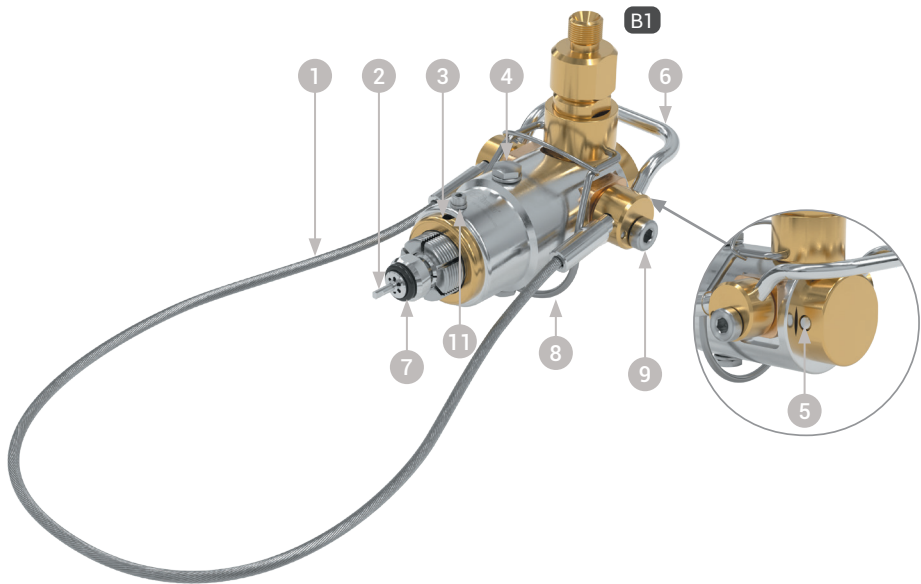


Pos.	Bezeichnung
1	Betätigungsbügel
2	RPV-Pin
3	Vorderteil
4	Stellschraube
5	Sicherheitsstift
7	Frontdichtung
9	Befestigungsschraube
11	Zylinderschraube

Begriffserklärung Anschlüsse

B1 Betriebsmedienzuleitung

TW54 mit gefedertem RPV-Pin, Betätigungsbügel, flexiblem Drahtseil und Arretierung

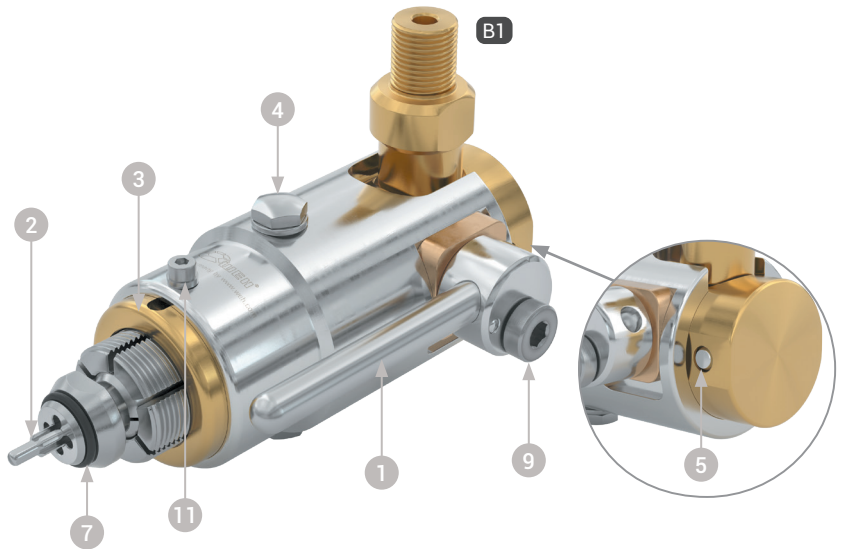


Pos.	Bezeichnung
1	Flexibles Drahtseil
2	RPV-Pin
3	Vorderteil
4	Stellschraube
5	Sicherheitsstift
6	Betätigungsbügel
7	Frontdichtung
8	Arretierung
9	Befestigungsschraube
11	Zylinderschraube

Begriffserklärung Anschlüsse

B1 Betriebsmedienzuleitung

TW54 mit gefedertem RPV-Pin und Betätigungshebel



Pos.	Bezeichnung
1	Betätigungshebel
2	RPV-Pin
3	Vorderteil
4	Stellschraube
5	Sicherheitsstift
7	Frontdichtung
9	Befestigungsschraube
11	Zylinderschraube

Begriffserklärung Anschlüsse

B1	Betriebsmedienzuleitung
-----------	-------------------------

4. TECHNISCHE DATEN

Bitte beachten: Abhängig vom Anwendungsfall können die technischen Daten Ihres WEH® Produkts von dieser Betriebsanleitung abweichen. Beachten Sie daher stets die Kennzeichnung auf dem WEH® Produkt selbst.

Eigenschaften	Standardausführung
Max. zulässiger Betriebsdruck PS	250 bar bzw. 375 bar*
Temperaturbereich	+5 °C bis +80 °C +5 °C bis +60 °C (O ₂)
Anschluss A	Innengewinde-Anschluss nach der jeweiligen Ländernorm z. B. DIN, CGA, BS, NF etc.
Medium**	Sauerstoff, Stickstoff, CO ₂ , Luft, Edelgase, Mischgase, medizinische Gase
Teilewerkstoffe	Verschleißfester Edelstahl, korrosionsbeständige Oberflächen, Messing
Dichtungswerkstoffe	Entsprechend der Gasart
Ausführung***	Mit oder ohne RPV-Pin
Betätigung***	Manuelle Betätigung über Betätigungsbügel, Arretierung etc.
Konformität / Prüfungen / Zulassungen	- Sauerstoffausbrandprüfung vorhanden

* Beachten Sie die maximalen Druckvorgaben der entsprechenden Flaschenventilnorm. Diese können niedriger sein als der maximal zulässige Betriebsdruck für den das WEH® Produkt ausgelegt ist.

** anderer Gase, je nach Auftragsbestätigung möglich

*** abhängig vom Anwendungsfall

5. LAGERN

5.1 Sicherheitshinweise zum sachgerechten Lagern

- ▶ Stellen Sie sicher, dass die folgenden Sicherheitshinweise und Lagerzeiten stets eingehalten werden.
Achtung: Eine nicht sachgerechte Lagerung des WEH® Produktes kann die maximale Lebensdauer erheblich reduzieren.
- ▶ Schützen Sie das WEH® Produkt grundsätzlich vor Beschädigungen, Verschmutzungen, unsachgemäßer Lagerung und übermäßigen Temperaturschwankungen.
- ▶ Lagern Sie das WEH® Produkt, dessen Zubehör und Ersatzteile, bis zum Einsatz und während der Nichtbenutzung, in der Originalverpackung.
- ▶ Lagern Sie das WEH® Produkt in einem Temperaturbereich von +5 °C bis +80 °C (+5 °C bis +60 °C bei O₂). Lagertemperaturen außerhalb dieses Bereichs können die Lebensdauer des WEH® Produkts beeinträchtigen.
- ▶ Lagern Sie das WEH® Produkt nicht im Bereich von Wärmequellen. Vermeiden Sie Feuchtigkeit und Kondenswasser. Die für die Lagerung optimale relative Luftfeuchtigkeit liegt bei ca. 65 %.
- ▶ Lagern Sie das WEH® Produkt nicht im gleichen Raum wie Lösungsmittel, Chemikalien, Säuren, Kraftstoffe und Desinfektionsmittel.
- ▶ Schützen Sie das WEH® Produkt vor Licht, besonders vor direkter Sonneneinstrahlung, Sauerstoff, Ozon, Wärme, UV-Strahlen, Lösungsmittel und anderen negativen Umwelteinflüssen. Die Lebensdauer der Elastomere oder Kunststoffteile kann durch diese Einflüsse wesentlich verkürzt werden.
- ▶ Vermeiden Sie die Überlagerung von WEH® Produkten. Die Ein- und Auslagerung sollte nach dem First-in-First-out-Prinzip (FIFO) erfolgen.

5.2 Lagern

- ▶ Beachten Sie die Sicherheitshinweise unter *Kapitel 5.1* und halten Sie die nachfolgenden Lagerzeiten ein. Die zulässige Lagerzeit gilt ab dem Auslieferungsdatum (Rechnungs-/Warenausgangsdatum seitens WEH oder dem Vertriebspartner). Sollte das WEH® Produkt in einem Komplettsystem verbaut sein, so ist die Lagerzeit von der Komponente abhängig, welche die geringste Lagerzeit aufweist.

Bis 3 Jahre	<p>▶ Kontrollieren Sie vor Einsatzbringung die Oberfläche von außenliegenden Dichtungen auf Risse.</p> <p>Achtung: Elastomerdichtungen mit feinen Rissen an der Oberfläche müssen ersetzt werden.</p> <p>Hinweis: Falls Zweifel über den Alterungszustand des gelagerten WEH® Produktes entstehen, kontaktieren Sie WEH.</p> <p>Achtung: Vor Inbetriebnahme muss das WEH® Produkt auf Dichtheit geprüft werden. Siehe hierzu das <i>Kapitel 7. Installieren auf Seite 47.</i></p>
> 3 Jahre	<p>- Vor Einsatzbringung müssen sämtliche Elastomerdichtungen ausgetauscht werden.</p> <p>▶ Senden Sie hierzu das WEH® Produkt zur Wartung an WEH.</p>

6. BENÖTIGTE HILFSMITTEL

Artikelnummer	Bezeichnung	Installieren	Warten & Schmierem
--	Geeigneter Gabelschlüssel (passend für die entsprechenden Schlüsselweiten)	X	
--	Geeigneter kalibrierter Drehmomentschlüssel (passend für das entsprechende Drehmoment)	X	
W136538	WEH® O-Ring-Picker Set*		X
E99-44923	WEH® Schmiermittel		X

* Der WEH® O-Ring-Picker ist aus Kunststoff und ist als Verbrauchsmaterial anzusehen.

7. INSTALLIEREN

7.1 Sicherheitshinweise zum Installieren

- ▶ Überprüfen Sie die Angaben der Betriebsanleitung und die Kennzeichnung auf dem WEH® Produkt. Die Angaben müssen mit Ihrem Einsatzfall übereinstimmen.
- ▶ Schließen Sie nur einwandfreie Anschlüsse an das WEH® Produkt an.
- ▶ Überprüfen Sie das WEH® Produkt auf Transportschäden, Verunreinigungen und Beschädigungen. Stellen Sie etwas am WEH® Produkt fest, darf dieses nicht mehr verwendet werden. Tauschen Sie das WEH® Produkt aus oder schicken Sie es zur Wartung an WEH.
- ▶ Entfernen Sie die Transportsicherungen (wie z. B. Schutzkappen) vor der Installation des WEH® Produkts. Transportsicherungen dienen dem Zweck das Produkt und die Anschlüsse beim Transport und während der Lagerung zu schützen. Die Transportsicherungen sind nicht darauf ausgelegt z. B. Druck zu tragen oder als Stopfen verwendet zu werden.
- ▶ Stellen Sie sicher, dass innerhalb der Anlage kein Druck ansteht. Der Einbau muss drucklos erfolgen.
- ▶ Vermeiden Sie kurze Medienleitungen und enge Biegeradien. Querkräfte können zu Undichtigkeiten und Beschädigungen von Bauteilen führen und erschweren den Anschlussvorgang des WEH® Adapters.
- ▶ Verwenden Sie, um zusätzliche Arbeitssicherheit zu erreichen, bei gefährlichen Anwendungen bzw. Umständen Fangseile, Zwischenwände etc.
- ▶ Überprüfen Sie vor der Installation, ob die Gegenstücke für die Montagedaten (siehe *Kapitel 7.2 Medienleitung installieren*), welche WEH für das WEH® Produkt vorgibt, ausgelegt sind.
Hinweis: Diese Montagedaten (Drehmomente, Montagedrehungen etc.) sind Werte, die ausschließlich für die Komponenten gelten, die im Lieferumfang von WEH enthalten sind.
- ▶ Platzieren Sie das WEH® Produkt so in Ihr System, dass die rote Markierung am Vorderteil (Pos. 3) sichtbar ist. Diese muss vom Bediener sichtbar sein.

7.2 Medienleitung installieren

Bitte beachten: Nachfolgende Erwähnungen von Bezeichnungen und Positionsnummern beziehen sich auf das *Kapitel 3. Produktübersicht / Produktbeschreibung auf Seite 41.*

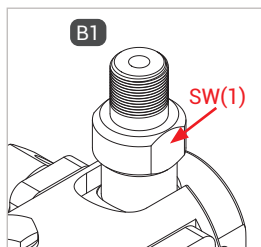


Abbildung 1

- ▶ Schrauben Sie die Schutzkappe von dem Anschluss ab.
- ▶ Halten Sie beim Montieren des Füllschlauches an der Schlüsselbohrung SW(1) (Abbildung 1) mit einem Gabelschlüssel gegen.
- ▶ Verschrauben Sie die Betriebsmedienzuleitung „B1“ druckdicht mit dem Anschluss des Füllschlauches (Abbildung 1).

Anzugsdrehmoment siehe untenstehende Tabelle.

Hinweis: Bei NPT-Gewinde umwickeln Sie zuerst die kegelförmige Verschraubung mit Teflonband (1,5 lagig). Schrauben Sie anschließend die Verschraubung handfest in den Anschluss ein und montieren Sie ihn gemäß den Angaben in der untenstehenden Tabelle.

Anschlüsse	Drehmoment G-Gewinde	Montage Drehungen NPT-Gewinde*
NPT 1/4" AG	--	2,0 - 3,0
NPT 3/8" AG	--	2,0 - 3,0
M16x1,25	20 Nm ± 2 Nm	--
W21,8x1/14"	20 Nm ± 2 Nm	--
G1/4"	30 Nm ± 2 Nm	--
G3/8"	40 Nm ± 2 Nm	--
G1/2"	50 Nm ± 2 Nm	--

* eine Drehung entspricht 360°

- ▶ Beachten Sie die auf Ihrem Gerät gekennzeichnete Anschlussgröße.
- Weitere Anschlussgrößen auf Anfrage möglich.

7.3 Dichtheit der Verbindung prüfen

- ▶ Schließen Sie den Adapter an ein geschlossenes Flaschenventil an.
- ▶ Beaufschlagen Sie den Adapter und die Medienleitung langsam mit dem Betriebsdruck.
Vorsicht: Das Flaschenventil muss ge-/ verschlossen sein.
- ▶ Überprüfen Sie den Adapter, die Verbindung zur Medienleitung und die Verbindung zum Flaschenventil auf Dichtheit.

8. BEDIENEN

8.1 Sicherheitshinweise zum Bedienen

Bitte beachten: Nachfolgende Erwähnungen von Bezeichnungen und Positionsnummern beziehen sich auf das *Kapitel 3. Produktübersicht / Produktbeschreibung auf Seite 41.*

- ▶ Beaufschlagen Sie den WEH® Adapter erst dann mit Druck, wenn er an einem Flaschenventil angeschlossen ist.
- ▶ Wenden Sie beim Betätigen keine Gewalt an.
- ▶ Beachten Sie **genau** die richtige Reihenfolge des An- und Abschließens des WEH® Adapters.
- ▶ Schließen Sie den WEH® Adapter nur im drucklosen Zustand an und ab.
Hinweis: Der Adapter ist mit einem Sicherheitsstift (Pos. 5) ausgerüstet. Der Sicherheitsstift fährt unter Druckbeaufschlagung zwischen 15 bar und 20 bar aus. Dabei blockiert er die Betätigung. Der Adapter kann so nicht unter Druck gelöst werden. Sobald der Füllvorgang beendet und das System vollständig druckentlastet ist, fährt der Sicherheitsstift wieder ein. Die Betätigung lässt sich dann leicht in die Ausgangsposition zurückklappen. Ein Entriegeln der Betätigung vor vollständiger Druckentlastung und bevor der Sicherheitsstift eingefahren ist, kann zu einer Beschädigung des Sicherheitsstiftes führen.
- ▶ Schließen Sie den WEH® Adapter nur an einwandfreie Flaschenventile an.
- ▶ Setzen Sie den WEH® Adapter gerade an, dadurch wird einer Beschädigung der Frontdichtung durch eventuell scharfe Kanten am Prüfling vorgebeugt.
- ▶ Ziehen Sie nach dem Anschließen immer am WEH® Adapter, um sicherzustellen, dass er richtig angeschlossen ist und dass die Spannzangen greifen, bevor Sie das unter Druck stehende Medium zuführen.
- ▶ Die Spannzangen des WEH® Adapters sind so konzipiert, dass Sie im Flaschenventil greifen. Halten Sie Ihre Finger oder andere Gegenstände von den Spannzangen fern, wenn Sie den Adapter betätigen.
Vorsicht: Mögliche Folgen bei Nichtbeachtung können sein:
 - Quetschgefahr der Finger beim Anschließen
 - Gefährdung der Gesundheit von Personen und Sachbeschädigung durch Teile, die sich unter hohem Druck lösen
 - Gefährdung der Gesundheit von Personen durch Medien, die mit hohem Druck freigesetzt werden
 - Gefährdung der Gesundheit von Personen durch Schläuche, die nicht gesichert sind
- ▶ Halten Sie den WEH® Adapter öl-, fett und staubfrei.
Achtung: Verunreinigungen im Gaskanal können einen Sauerstoffausbrand verursachen.

- ▶ Der WEH® Adapter besitzt kein integriertes Absperrventil und verhindert daher nicht das Austreten von Medium bei unsachgemäßem Anschließen und nach dem Abschließen. Beaufschlagen Sie den Adapter erst dann mit Druck, wenn er richtig angeschlossen ist. Schließen Sie den Adapter nur bei absolut sicheren Verhältnissen ab. Insbesondere muss der Adapter beim Abschlussvorgang vollständig drucklos sein.

8.2 Anschließen

Anschließen eines TW54 mit Bügelbetätigung und Betätigungshebel

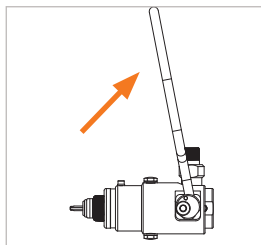


Abbildung 2

- ▶ Klappen Sie die Betätigung (Pos. 1) nach oben (Abbildung 2). Die Spannzangen fallen zusammen.
- ▶ Stecken Sie den Adapter gerade und locker, bis zum merkbareren Dichtungskontakt in das Flaschenventil ein (Abbildung 3). Dadurch wird eine Beschädigung der Frontdichtung durch eventuell scharfe Kanten am Flaschenventil vorgebeugt und das richtige Anschließen gewährleistet.

Achtung: Achten Sie darauf, dass der Adapter vollständig bis zum spürbaren Dichtungskontakt in das Flaschenventil eingedrückt wird.

Hinweis: Stecken Sie den Adapter mit RPV-Pin soweit in das Flaschenventil ein, bis Sie den RPV-Pin im Flaschenventil aufgedrückt haben und der Dichtkolben abdichtet.

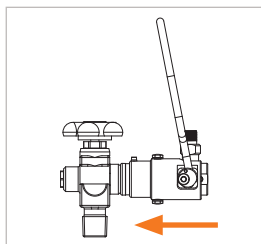


Abbildung 3

- ▶ Klappen Sie die Betätigung (Pos. 1) nach unten. Der Bügel / Hebel muss sich leicht und ohne Kraftaufwand nach unten führen lassen. Die Betätigung muss in seiner Endposition unterhalb der Waagrechten des Adapters liegen (Abbildung 4). Die rote Markierung am Vorderteil (Pos. 3) muss unter dem Gehäuse verschwinden und darf nicht mehr sichtbar sein (Abbildung 5 und Abbildung 6).

Achtung: Greifen die Spannzangen nicht richtig im Flaschenventil, liegt die Betätigung nicht unterhalb der Waagrechten oder ist die rote Markierung am Vorderteil sichtbar, so ist der Adapter nicht richtig angeschlossen. Der Adapter kann abspringen und Medium kann austreten.

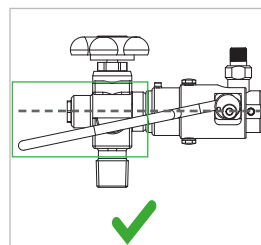


Abbildung 4

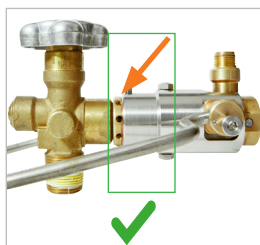


Abbildung 5

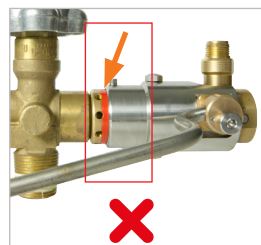


Abbildung 6

- ▶ Ziehen Sie leicht am Adapter entgegen der Anschlussrichtung um sicherzustellen, dass der Adapter richtig angeschlossen ist.
- Der Adapter ist nun druckdicht mit dem Flaschenventil verbunden.
- ▶ Öffnen Sie das Flaschenventil.
- ▶ Beaufschlagen Sie, um den Füllvorgang zu beginnen, die Betriebsmedienzuleitung „B1“ mit Druck.
Achtung: Der Sicherheitsstift (Pos. 5) am Adapter muss nach Druckbeaufschlagung ausgefahren sein. Die Betätigung ist blockiert, der Adapter kann unter Druck nicht gelöst werden.

Anschließen eines TW54 mit Betätigungsbügel, flexiblem Drahtseil und Arretierung

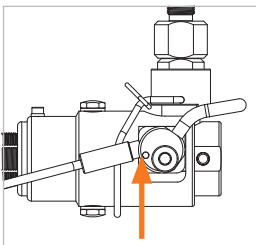


Abbildung 7

- ▶ Drücken Sie die Arretierung (Pos. 8) nach oben (Abbildung 7).
- ▶ Klappen Sie die Betätigungsbügel (Pos. 6) nach unten. Das flexible Drahtseil klappt nach oben und die Spannzangen fallen zusammen (Abbildung 8).

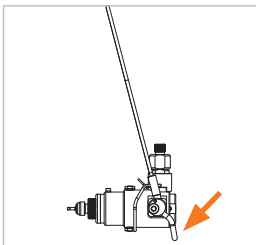


Abbildung 8

- ▶ Stecken Sie den Adapter gerade und locker, bis zum merkbaren Dichtungskontakt in das Flaschenventil ein (Abbildung 9). Dadurch wird eine Beschädigung der Frontdichtung durch eventuell scharfe Kanten am Flaschenventil vorgebeugt und das richtige Anschließen gewährleistet.

Achtung: Achten Sie darauf, dass der Adapter vollständig bis zum spürbaren Dichtungskontakt in das Flaschenventil eingedrückt wird.

Hinweis: Stecken Sie die Adapter mit RPV-Pin soweit in das Flaschenventil ein, bis Sie den RPV-Pin im Flaschenventil aufgedrückt haben und der Dichtkolben abdichtet.

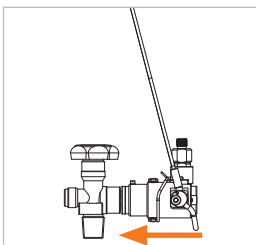


Abbildung 9

- ▶ Klappen Sie die Betätigungsbügel (Pos. 6) nach oben. Der Bügel muss sich leicht und ohne Kraftaufwand nach oben führen lassen. Das Drahtseil muss in seiner Endposition unterhalb der Waagrechten des Adapters liegen (Abbildung 10). Die rote Markierung am Vorderteil (Pos. 3) muss unter dem Gehäuse verschwinden und darf nicht mehr sichtbar sein (Abbildung 11 und Abbildung 12).

Achtung: Greifen die Spannzangen nicht richtig im Flaschenventil, liegt das Drahtseil nicht unterhalb der Waagrechten oder ist die rote Markierung am Vorderteil sichtbar, so ist der Adapter nicht richtig angeschlossen. Der Adapter kann abspringen und Medium kann austreten.

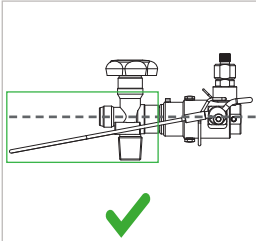


Abbildung 10

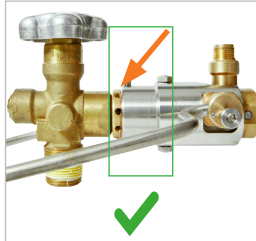


Abbildung 11

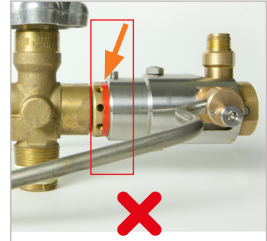


Abbildung 12

- ▶ Ziehen Sie leicht am Adapter entgegen der Anschlussrichtung um sicherzustellen, dass der Adapter richtig angeschlossen ist.

- Der Adapter ist nun druckdicht mit dem Flaschenventil verbunden.

- ▶ Öffnen Sie das Flaschenventil.

- ▶ Beaufschlagen Sie, um den Füllvorgang zu beginnen, die Betriebsmedienzuleitung „B1“ mit Druck.

Achtung: Der Sicherheitsstift (Pos. 5) am Adapter muss nach Druckbeaufschlagung ausgefahren sein. Die Betätigung ist blockiert, der Adapter kann unter Druck nicht gelöst werden.

8.3 Abschließen

- ▶ Nach Beendigung des Füllvorganges und vollständiger Entlüftung der Medienleitung, schließen Sie die den Adapter ab.

Vorsicht: Stellen Sie zuerst den druckfreien Zustand her, bevor Sie die Verbindung lösen.

Achtung: Der Druck im System muss vollständig abgebaut sein, sodass der Sicherheitsstift (Pos. 5) am Adapter einfahren kann und die Betätigung nicht mehr blockiert ist.

Abschließen eines TW54 mit Bügelbetätigung und Betätigungshebel

- ▶ Führen Sie die Betätigung (Pos. 1) bis zum Anschlag nach oben. Die Spannzangen fallen zusammen.

Hinweis: Der Sicherheitsstift (Pos. 5) am Adapter muss vollständig eingefahren sein. Ein Betätigen vor vollständiger Druckentlastung und bevor der Sicherheitsstift eingefahren ist, kann zu einer Beschädigung des Sicherheitsstiftes führen.

- ▶ Ziehen Sie den Adapter **gerade** nach hinten ab. Dadurch wird eine Beschädigung der Frontdichtung durch eventuell scharfe Kanten am Flaschenventil vorgebeugt.

Achtung: Falls sich der Adapter nicht abnehmen lässt:

- Warten Sie kurze Zeit
- Wenden Sie niemals Kraft auf
- Verwenden Sie keine Hilfsmittel (z. B. Hammer)
- Vergewissern Sie sich, dass der Adapter drucklos ist. Der Sicherheitsstift (Pos. 5) am Adapter muss vollständig eingefahren sein.

Abschließen eines TW54 mit Betätigungsbügel, flexiblem Drahtseil und Arretierung

- ▶ Drücken Sie die Arretierung (Pos. 8) nach oben. Klappen Sie die Betätigungsbügel (Pos. 6) nach unten. Das flexible Drahtseil klappt nach oben und die Spannzangen fallen zusammen.

Hinweis: Der Sicherheitsstift (Pos. 5) am Adapter muss vollständig eingefahren sein. Ein Betätigen vor vollständiger Druckentlastung und bevor der Sicherheitsstift eingefahren ist, kann zu einer Beschädigung des Sicherheitsstifte führen.

- ▶ Ziehen Sie den Adapter **gerade** nach hinten ab. Dadurch wird eine Beschädigung der Frontdichtung durch eventuell scharfe Kanten am Flaschenventil vorgebeugt.

Achtung: Falls sich der Adapter nicht abnehmen lässt:

- Warten Sie kurze Zeit
- Wenden Sie niemals Kraft auf
- Verwenden Sie keine Hilfsmittel (z. B. Hammer)
- Vergewissern Sie sich, dass der Adapter drucklos ist. Der Sicherheitsstift (Pos. 5) am Adapter muss vollständig eingefahren sein.

9. INSPIZIEREN | WARTEN

Bitte beachten: Nachfolgende Erwähnungen von Bezeichnungen und Positionsnummern beziehen sich auf das *Kapitel 3. Produktübersicht / Produktbeschreibung auf Seite 41.*

Achtung: Werden Beschädigungen am WEH® Produkt oder Einschränkungen in der Funktion erkannt, sind Maßnahmen gemäß *Kapitel 11. Fehlerbeheben auf Seite 61* zu treffen. Beschädigte oder undichte WEH® Produkte müssen zur Wartung an WEH geschickt werden.

9.1 Sicherheitshinweise zum Inspizieren und Warten

- Das WEH® Produkt muss für Wartungsarbeiten drucklos sein und abgebaut werden.
- ▶ Überprüfen Sie das WEH® Produkt nach den Wartungsarbeiten auf Leckage. Beachten Sie hierzu das *Kapitel 7. Installieren auf Seite 47.*
- Zum Zweck der Inspektion ist es nicht notwendig, dass das WEH® Produkt abgebaut wird, es muss allerdings drucklos sein.
- ▶ Verwenden Sie nur Original WEH® Ersatzteile. Diese sind auf den Anwendungsfall genau abgestimmt und unterliegen strengen Qualitätskontrollen.
- ▶ Beschädigen Sie keinesfalls Dichtflächen oder Dichtungskomponenten.
- ▶ Kontrollieren Sie vor jeder Wiedermontage die Bauteile, Gewinde und falls vorhanden die Dichtflächen auf Beschädigung und Verunreinigungen. Stellen Sie Beschädigungen fest, tauschen Sie das WEH® Produkt aus oder schicken Sie es zur Wartung an WEH ein. Das WEH® Produkt darf nicht mehr verwendet werden.
- ▶ Halten Sie Das WEH® Produkt und die WEH® Ersatzteile absolut öl-, fett- und staubfrei.
Achtung: Verunreinigungen im Gaskanal können einen Sauerstoffausbrand verursachen.
- ▶ Reinigen Sie vor der Wiedermontage das WEH® Produkt und die entsprechenden Bauteile durch Abblasen mit ölfreier Druckluft und entfernen Sie anhaftenden Schmutz mit einem feuchten, weichen und fusselfreien Tuch. Verwenden Sie hierzu keine Lösemittel, sondern ausschließlich klares Wasser als Reinigungsmittel.
Achtung: Verwenden Sie zum Abblasen des Schmutzes nur ölfreie Druckluft.
Hinweis: Achten Sie darauf, dass kein Reinigungsmittel in den Gaskanal gelangt.
- ▶ Vermeiden Sie den Kontakt mit Chemikalien auf Mineralölbasis. Diese können das WEH® Produkt verunreinigen und beschädigen.

- ▶ Beachten Sie während der Wartung oder während dem Umgang mit Bauteilen für Sauerstoffgeräte folgende Punkte:
 - Halten Sie ihre Hände öl- und fettfrei
 - Halten Sie ihre Hände und das Gesicht frei von Cremes und andren Kosmetikprodukten
 - Tragen Sie sauberer Arbeitskleidung

9.2 Wartungsintervalle

- ▶ Inspizieren Sie das WEH® Produkt in regelmäßigen Abständen in Abhängigkeit von den jeweiligen Betriebsbedingungen, jedoch mindestens alle 3 Monate. Nach spätestens 20.000 Zyklen oder 3 Jahren, je nachdem was zuerst eintritt, beginnend ab dem Auslieferungsdatum (Rechnungs-/Warenausgangsdatum seitens WEH oder des Vertriebspartners), muss das WEH® Produkt zur Wartung an WEH geschickt werden.

Diese Intervalle können jedoch auch deutlich kürzer ausfallen, was insbesondere abhängig von Ihrer individuellen Applikation/Anwendung ist. Schicken Sie daher das WEH® Produkt bei Auffälligkeiten – insbesondere im Rahmen der regelmäßigen Inspektion – umgehend zur Wartung an WEH. Sollten Sie das WEH® Produkt nicht regelmäßig inspizieren und zur Wartung an WEH schicken, kann es insbesondere zu Undichtigkeiten und damit unter Umständen auch zu Ausfällen und/oder Unfällen kommen.

9.3 Übersicht Mindestintervalle für Inspektion und Wartung

Nr.	Inspektion	Erstmalig (vor Inbetriebnahme)	Täglich	Wöchentlich	Monatlich	Nach 1.000 Zyklen
1	RPV-Pin auf festen Sitz und Beschädigung prüfen	X	X			
2	Frontdichtung auf Beschädigung und Sauberkeit prüfen	X	X			
3	Funktion des Sicherheitsstiftes kontrollieren	X	X			
4	Äußeren Zustand auf Beschädigung und Sauberkeit prüfen	X		X		
5	Betätigung auf Beschädigung und Funktion prüfen	X		X		
6	Spannzangen auf Beschädigung und Sauberkeit prüfen	X		X		
7	Adapter und Medienzuleitung auf Leckage prüfen (siehe Kapitel 7. Installieren)	X		X		
8	Zylinderschraube auf festen Sitz prüfen	X		X		
9	Drehdurchführung auf Verschleiß, Sauberkeit und Funktion prüfen	X			X	
10	Stellschraube auf festen Sitz prüfen	X				X

Nr.	Wartung	Monatlich	nach 1.000 Zyklen	Nach 3 Jahre oder 20.000 Zyklen*
11	Schmierung der Betätigung (siehe Kapitel 10. Schmieren)	X		
12	Frontdichtung austauschen (siehe Kapitel 9.4.1 Austausch der Frontdichtung (Pos. 7))		X	
13	Einsendung zur Werkswartung an WEH			X

* je nachdem was zuerst eintritt

Hinweis: Zuordnung der Komponenten siehe Kapitel 3. Produktübersicht / Produktbeschreibung auf Seite 41.

- ▶ Legen Sie, falls Ihre Applikation/Anwendung es erfordert, kürzere Intervalle als oben vorgegeben, fest. Eine signifikante Verkürzung der Mindestintervalle ist insbesondere dann geboten, wenn sich Auffälligkeiten bei den Inspektionen zeigen.

9.4 Warten

Bitte beachten: Nachfolgende Erwähnungen von Bezeichnungen und Positionsnummern beziehen sich auf das *Kapitel 3. Produktübersicht / Produktbeschreibung auf Seite 41.*

- ▶ Tauschen Sie das WEH® Produkt aus oder schicken Sie es zur Wartung an WEH ein, falls Sie Undichtigkeiten oder Fehlfunktionen feststellen. Das Produkt darf nicht mehr verwendet werden.

Die folgenden Wartungsarbeiten dürfen vom Betreiber durchgeführt werden:

- ▶ Überprüfen Sie das WEH® Produkt auf Dichtheit und richtige Funktion - Leichtgängigkeit, ausreichende Schmierung mit Stoffen, die von WEH für diese Anwendung zugelassen sind (siehe *Kapitel 10. Schmieren auf Seite 60*), Verschleiß, Verschmutzung, Beschädigungen.
- ▶ Kontrollieren Sie die Dichtungsoberfläche der Frontdichtung (Pos. 7). Sind Risse oder Beschädigungen auf der Frontdichtung sichtbar, tauschen Sie diese aus. Beachten Sie hierzu das *Kapitel 9.4.1 Austausch der Frontdichtung (Pos. 7) auf Seite 59.*
- ▶ Kontrollieren Sie die Spannzangen regelmäßig auf Verschmutzung. Schmutzpartikel können die Spann- und Dichtfunktion beeinträchtigen und eine Gefahrenquelle darstellen.
- ▶ Kontrollieren Sie die Funktion des Sicherheitsstiftes (Pos. 5). Der Sicherheitsstift muss bei einer Druckbeaufschlagung zwischen 15 bar und 20 bar ausfahren. Nach Druckentlastung muss der Sicherheitsstift wieder einfahren. Falls der Sicherheitsstift nicht richtig funktioniert oder verbogen ist, senden Sie das Produkt zur Wartung an WEH.
- ▶ Kontrollieren Sie den RPV-Pin (Pos. 2), falls vorhanden, auf festen Sitz und Beschädigung. Sitzt der RPV-Pin locker, ist er beschädigt oder verbogen, senden Sie das Produkt zur Wartung an WEH.
- ▶ Kontrollieren Sie die Betätigung (Pos. 1) auf Leichtgängigkeit, richtige Funktion und Beschädigung. Ist die Betätigung schwergängig, schmieren Sie die Betätigung gemäß dem *Kapitel 10. Schmieren auf Seite 60.* Ist die Betätigung beschädigt, senden Sie das Produkt zur Wartung an WEH.
- ▶ Kontrollieren Sie bei jedem Dichtungswechsel das Anzugsdrehmoment der Stellschraube am Adaptergehäuse (Pos. 4). Anzugsdrehmoment 20 Nm.
- ▶ Kontrollieren Sie, falls vorhanden, die Drehdurchführung auf Dichtungsverschleiß, Verschmutzung und Schwergängigkeit. Sind Beschädigungen oder Verschleiß erkennbar, tauschen Sie die Drehdurchführung aus. Die Drehdurchführung kann an den Schlüsselflächen ein- und ausgeschraubt werden.
Anzugsdrehmoment 20 Nm ± 2 Nm

9.4.1 Austausch der Frontdichtung (Pos. 7)

- ▶ Stellen Sie den WEH® Adapter senkrecht auf und klappen Sie die Betätigung (Pos. 1) um, sodass der Adapter im Anschlussbereitem Zustand ist.



- ▶ Untergraben Sie die Frontdichtung (Pos. 7) mit dem WEH® O-Ring-Picker Art. Nr. E98-101969 und entnehmen Sie ihn aus dem Einstich.

Vorsicht: Beim Entfernen der Frontdichtung darf die Oberfläche des Einstiches für die Frontdichtung nicht beschädigt werden.



- ▶ Legen Sie die neue Frontdichtung (Pos. 7) in den gesäuberten Einstich ein. Achten Sie darauf, dass die Frontdichtung nicht in sich verdreht ist und dass Sie richtig im Einstich liegt.

Vorsicht: Die Frontdichtung darf nicht geschmiert werden.

Vorsicht: Benutzen Sie zur Montage kein spitzes Werkzeug. Die Frontdichtung kann dadurch beschädigt werden.



- ▶ Kontrollieren Sie das Anzugsdrehmoment der Stellschraube am Adaptergehäuse (Pos. 4). Anzugsdrehmoment 20 Nm.
- ▶ Überprüfen Sie den Adapter auf Dichtheit, bevor Sie diesen verwenden. Beachten Sie hierzu das *Kapitel 7.3 Dichtheit der Verbindung prüfen* auf Seite 48.

10. SCHMIEREN

Bitte beachten: Nachfolgende Erwähnungen von Bezeichnungen und Positionsnummern beziehen sich auf das *Kapitel 3. Produktübersicht / Produktbeschreibung auf Seite 41.*

10.1 Sicherheitshinweise zum Schmieren

- ▶ Achten Sie darauf, dass Sie keine Dichtflächen/Dichtungskomponenten während des Schmierens beschädigen.
- ▶ Verwenden Sie zur Schmierung ausschließlich das WEH® Schmiermittel Art. Nr. E99-44923.

10.2 Schmieren

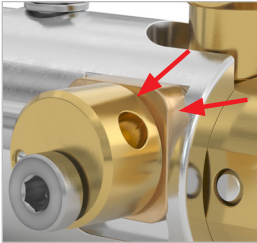


Abbildung 13

- ▶ Bringen Sie einen dünnen Film des WEH® Schmiermittel zwischen den Exzentern (roter Pfeil, *Abbildung 13* und *Abbildung 14*) auf.
Achtung: Der Schmierstoff darf nicht in den Gaskanal gelangen.
- ▶ Betätigen Sie den Adapter mehrmals, damit das Schmiermittel entsprechend verteilt wird.

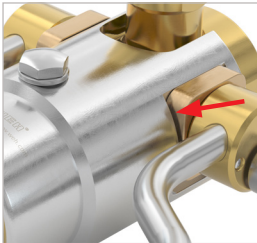


Abbildung 14

11. FEHLERBEHEBEN

Nr.	Fehler	Zu erkennen durch	Mögliche Ursache	Abhilfe
1	Gasaustritt beim Füllvorgang, bei steigendem Druck nachlassend	Ausblasgeräusche	Unsachgemäßes Anschließen	Füllvorgang stoppen, Adapter nochmals anschließen
			Zuleitung zu starr	z. B. flexiblen Schlauch anbringen
2	Gasaustritt bei steigendem Druck verstärkt	Ausblasgeräusche	Unsachgemäßes Anschließen	Prüfvorgang stoppen, Adapter nochmals anschließen
			Frontdichtung schadhaft	Prüfvorgang stoppen
			Flaschenventil beschädigt	Entscheiden, ob Füllvorgang unterbrechen oder fortfahren
			Sicherheitsstift verbogen	Prüfvorgang beenden, Adapter zur Wartung an WEH senden
2	Sicherheitsstift tritt bei Druckaufbau nicht aus dem Adapter aus	Betätigungshebel kann nicht geöffnet werden	Der Fülldruck beträgt noch keine 15 bar	Der Fülldruck muss 15 - 20 bar betragen, damit der Sicherheitsstift ausfährt
			Zu wenig Schmierung. Verschmutzter Sicherheitsstift	Adapter vor nächsten Füllvorgang austausche, Adapter zur Wartung an WEH senden
			System nicht ausreichend entspannt	Flaschenventil kontrollieren ob es geschlossen ist. Weiter druckentlasten
			Sicherheitsstift klemmt wegen Trockenlauf	Adapter zur Wartung an WEH senden
2	Sicherheitsstift fährt nicht ein	Betätigungshebel kann nicht geöffnet werden	Sicherheitsstift klemmt wegen Beschädigung	Sicherheitsstift von Hand oder behutsam mit einem Werkzeug in den Adapter eindrücken. Adapter zur Wartung an WEH senden

Nr.	Fehler	Zu erkennen durch	Mögliche Ursache	Abhilfe
3	Deformation oder Verformung an der Schiebehülse, der Betätigung oder den Anschlussteilen	Schwergängigkeit beim Betätigen	Anschlagen der Flaschenkappe beim Ein- und Ausfahren der Paletten	Adapter sofort austauschen und zur Wartung an WEH senden
		Ausblasgeräusche am Gehäuse oder Verschraubungen		
4	Betätigung ist locker	Auffälliges, seitliches Wackeln der Betätigung	Innensechskantschraube am Exzenter der Betätigung hat sich gelöst	Anziehen der Schraube mit 7 Nm, ggf. Adapter zur Wartung an WEH senden
		Undichte Anschlussverschraubung	Verschraubungen haben sich gelöst	Festziehen der Verschraubungen mit dem vorgegeben Drehmoment, siehe <i>Kapitel 7. Installieren</i>
5	Undichtheit an der Drehdurchführung	Ausblasgeräusche	Verschmutzung oder Verschleiß der inneren Dichtungen	Adapter zur Wartung an WEH senden
6	Segmente der Spannzangen werden nicht ausreichend gespreizt Adapter sitzt trotz richtigem Anschließen nicht fest	Gerät sitzt zu locker, wackelt im Gewinde des Ventils	Verschleiß	Überprüfen Sie zuerst das Flaschenventil mit der Gewindelehre, ist es defekt, ersetzen Sie das Flaschenventil. Ist das Ventil in Ordnung, ist der Adapter defekt. Adapter zur Wartung an WEH senden
		Am Ventilanschluss sind weniger als 4 Gewindegänge im Eingriff	Verschleiß des Adapterexzenters Falsches Flaschenventil	Adapter sofort austauschen und zur Wartung an WEH senden Überprüfen Sie das Flaschenventil

Bei sonstigen Problemen kontaktieren Sie bitte WEH oder Ihren zuständigen Vertriebspartner.

12. ENTSORGEN

- ▶ Entsorgen Sie das WEH® Produkt fachgerecht, wenn Sie es nicht mehr benötigen. Beachten Sie die zum Zeitpunkt der Entsorgung gültigen nationalen und örtlichen Bestimmungen zur Entsorgung.

13. ZUBEHÖR | ERSATZTEILE

Anschlussadapter

Es sind verschiedene Anschlussadapter zur Verbindung der Betriebsmedienzuleitung „B1“ des WEH® Produktes mit dem Füllschlauch erhältlich.

Betätigung

Für das WEH® Produkt sind verschiedene Betätigungen, wie z. B. Bügel, Drahtseil etc. in vielen Formen und Größen erhältlich.

Arretierungen

Für das WEH® Produkt sind auch noch zusätzlich Arretierungen erhältlich.

Drehdurchführung WEH® TD1

Für das WEH® Produkt ist eine Drehdurchführung erhältlich. Die Drehdurchführung ermöglicht das radiale Ausrichten des Adapters beim Anschließen an das Flaschenventilgewinde. Dadurch wird der Anschlussvorgang weiter erleichtert. Das Verdrehen von Schläuchen wird verhindert.

Schnellwechselsystem WEH® TK350-TN350

Schnellwechselsystem zum schnellen und einfachen Wechseln des WEH® Produktes bei Reparaturen, zum Wechseln auf andere Normen sowie zum Wechseln von Restdruck auf Nicht-Restdruck-Adapter. Das Schnellwechselsystem kann auch als Drehdurchführung verwendet werden.

Bestellnummer	Beschreibung	B1 (Außenngewinde)	B2 (Innengewinde)
C1-91239-X01	Schnellwechselkupplung TK350	-	M16x1,5
C1-91241-X01	Schnellwechsellnippel TN350	M16x1,5	-

Ersatzteile

Für die Wartung des WEH® Produktes stehen folgende Artikel zur Verfügung:

Bestellnummer	Position	Beschreibung
Auf Anfrage	Pos. 7	Frontdichtung

- ▶ Geben Sie bei der Bestellung die auf Ihrem WEH® Produkt gekennzeichnete Artikelnummer an.
Bitte beachten: Beachten Sie zur richtigen Verwendung von WEH® Ersatzteilen das Kapitel 9. Inspizieren | Warten auf Seite 54.

AE

Contact

More questions? Great!
Don't hesitate to contact our experts.

Manufacturer:

WEH GmbH Verbindungstechnik

Josef-Henle-Str. 1
89257 Illertissen / Germany

Phone: +49 7303 95190-0

Email: sales@weh.com

www.weh.com

© All rights reserved, WEH GmbH Verbindungstechnik.

Any unauthorized copying, distribution or other use of the copyrighted content is strictly forbidden without the written consent of WEH GmbH Verbindungstechnik. Upon transmission of a newer version of this document, all previous versions are no longer valid. In principle, the latest version of the document is valid. This can be found at www.weh.com.

Our General Terms and Conditions and the Agreement on Protection of Know-How and Quality Assurance (www.weh.com) shall apply to deliveries and other services, unless expressly agreed otherwise. We do not accept any General Terms and Conditions of the purchaser.

WEH® is a registered trademark
of WEH GmbH Verbindungstechnik.

DE

Kontakt

Sie haben Fragen oder benötigen weitere
Informationen? Wir sind gerne für Sie da.

Hersteller:

WEH GmbH Verbindungstechnik

Josef-Henle-Str. 1
89257 Illertissen / Deutschland

Phone: +49 7303 95190-0

Email: sales@weh.com

www.weh.de

© Alle Rechte vorbehalten, WEH GmbH Verbindungstechnik.

Jedliches unbefugte Kopieren, Verbreiten und sonstige Nutzung der urheberrechtlich geschützten Inhalte ist ohne schriftliche Zustimmung der Firma WEH GmbH Verbindungstechnik untersagt. Mit Übermittlung einer aktuelleren Version des vorliegenden Dokuments verlieren alle älteren Versionen ihre Gültigkeit. Es gilt grundsätzlich die aktuellste Version des Dokuments. Diese finden Sie unter www.weh.com.

Für Lieferungen und sonstige Leistungen gelten grundsätzlich unsere Allgemeinen Geschäftsbedingungen und die Know-How Schutz- und Qualitätssicherungsvereinbarung (www.weh.com), sofern nicht ausdrücklich etwas anderes vereinbart wurde. Allgemeine Geschäftsbedingungen des Bestellers erkennen wir grundsätzlich nicht an.

WEH® ist eine eingetragene Marke
der WEH GmbH Verbindungstechnik.