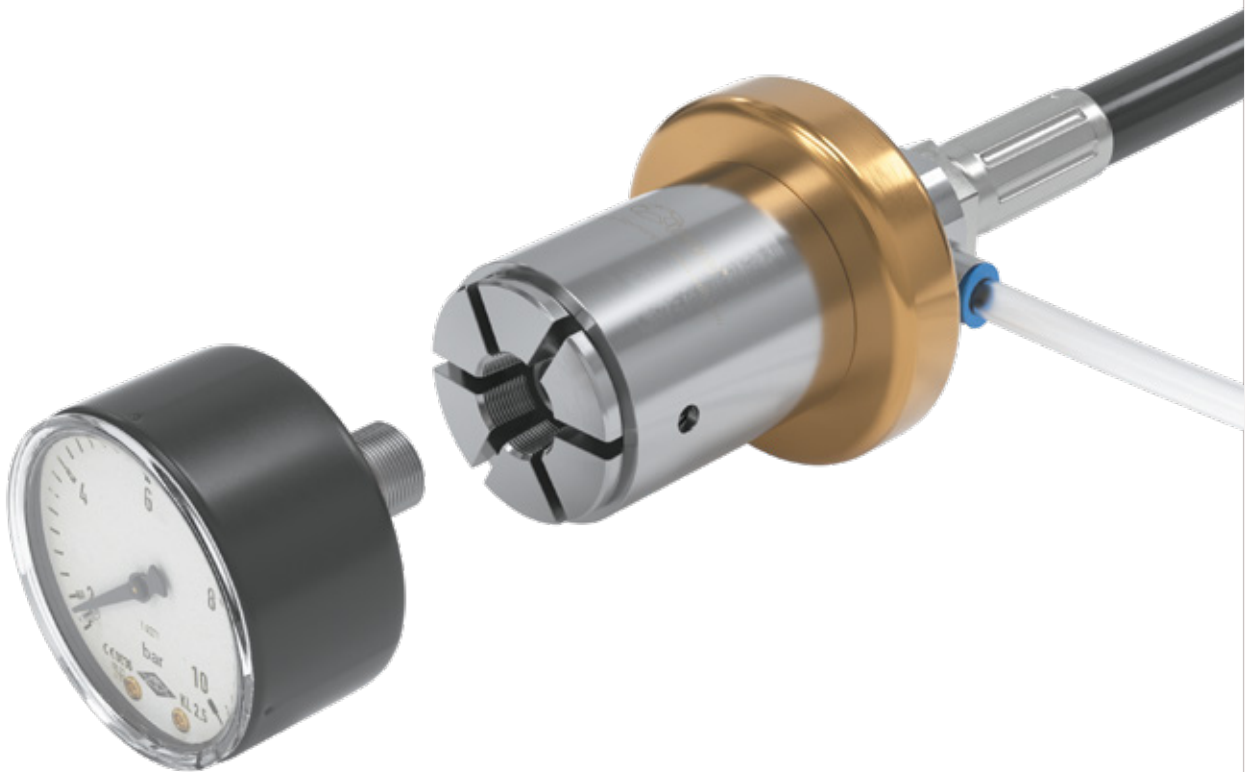


# Type **TW751**

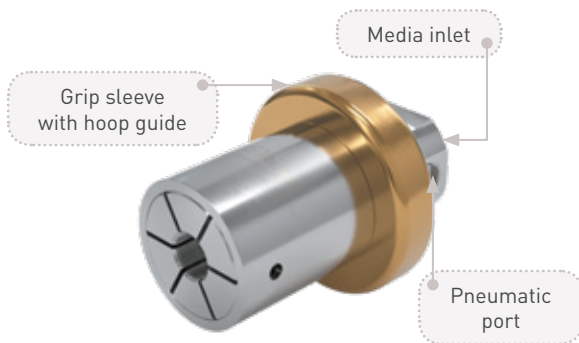
## WEH<sup>®</sup> Connector

for testing of manometers



## General

### DESCRIPTION



#### Features

- Connection in seconds
- No hand tightening required
- Compact design
- WEH® Jaw locking mechanism
- Ergonomic design
- High-grade materials

#### How to save time and money

The WEH® TW751 Quick connector has been developed for function- and pressure testing of externally threaded manometers up to a max. pressure (PN) of 1000 bar. Tedious hand tightening is no longer needed and intricate testing devices are a thing of the past. In comparison to threaded connections there are significant time and cost reductions due to the efficient handling of WEH® Connectors.

The connector is characterised by its robust design and ease of operation. The connection procedure is quite simple: Activate the pilot pressure, so that the sealing disc retracts. Afterwards pull back the grip sleeve - the clamping jaws spread apart and the test piece can be inserted. Push the grip sleeve completely forward - the clamping jaws lock the test piece. Relieve the pilot pressure - the sealing disc moves forward and reliably seals the connection. Testing can now proceed.

The WEH® TW751 is equipped with a NBR front seal. Other sealing materials on request. It is the customer's responsibility to clarify the media compatibility.

#### Application

Quick connector for pressure and function testing of manometers with external thread.

### TECHNICAL DATA

Characteristics	Basic version
Nominal pressure PS	0 - 1000 bar
Pilot pressure	5 - 8 bar compressed air
Temperature range	+5 °C up to +60 °C
Actuation	Manual actuation via grip sleeve or pneumatic actuation
Material	Corrosion resistant stainless steel, brass
Sealing material	Front seal of NBR

Other designs on request

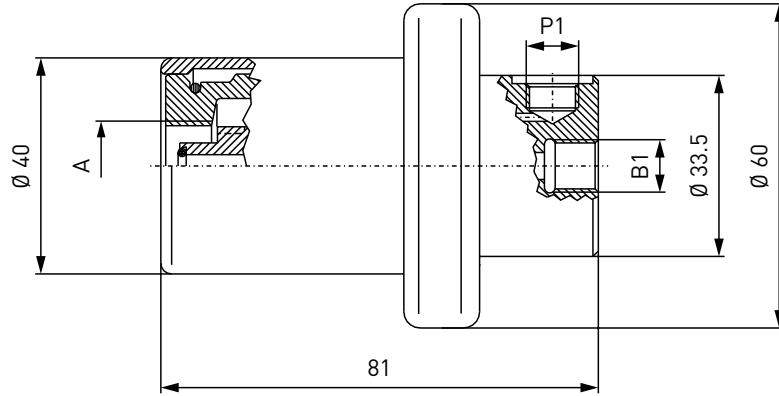
#### Example of use:



**Ordering**

**ORDERING** | WEH® TW751 Quick connector

approx. dimensions (mm)



Part No.	Connection A (external thread)	Inlet B1 (internal thread)	Pilot pressure port P1 (internal thread)
<b>C1-1006</b>	G1/8"	G1/8"	G1/8"
<b>C1-10455</b>	G1/4"	G1/8"	G1/8"
<b>C1-1155</b>	G1/2"	G1/8"	G1/8"
<b>C1-901</b>	NPT 1/4"	G1/8"	G1/8"
<b>C1-1158</b>	NPT 1/2"	G1/8"	G1/8"

Other connector sizes and versions on request.

## Other products

### OTHER PRODUCTS

You will find more products in our current catalogue no. 35



Further information on our homepage  
[www.weh.com](http://www.weh.com)

#### Abbreviations/Definition

Explanation of abbreviations see technical appendix in the catalogue or [www.weh.com](http://www.weh.com)

#### Safe product selection

Our WEH® Products are designed to be operated by qualified professional users (insofar as WEH® Products are also designed to be operated by other users in individual cases, this is explicitly stated in the corresponding operating instructions). You alone are responsible for the selection of WEH® Products and their configuration according to the requirements of your system. In doing so, please particularly consider your intended use, your performance data, your material compatibility, your system concept and your system limits as well as your technical and legal requirements for operation, handling and maintenance. The quality and safety of WEH® Products is our highest priority. For this reason, WEH® Products may not be used outside the specifications in the relevant Product data sheets and product descriptions. We also strongly recommend that you refrain from using third-party spare parts or a combination of WEH® Products with unsuitable third-party products. You alone are responsible for reviewing the suitability of third-party products. WEH® Products and WEH® Spare parts comply with our quality and safety standards.

#### Explanation on the Pressure Equipment Directive

These WEH® Products are generally and exclusively classified as pressure accessories for piping in accordance with Article 2 (5) of the Pressure Equipment Directive 2014/68/EU. These WEH® Products may not be used (i) as safety accessories or (ii) for vessels as defined by the Pressure Equipment Directive 2014/68/EU. Therefore, the application of these WEH® Products must comply with their classification as pressure accessories for piping. The assessment with regard to a different classification can, however, be made on request.

#### External change management

WEH reserves the right to update, optimise and adjust its products continuously. This may result in corresponding changes of the product. Customers will be informed proactively or unsolicited by WEH only in individual cases about product updates, product optimisations and/or product adaptations that have been carried out. You are free to contact WEH at any time to request information about any product updates, product optimisations and/or product adjustments.

© All rights reserved, WEH GmbH. Any unauthorized use is strictly forbidden. Subject to alteration.  
No liability will be assumed for any content. Herewith previous versions are no longer valid.

### » Contacting

For queries and further information, please do not hesitate to contact us.

Manufacturer:

**WEH GmbH Precision Connectors**

Josef-Henle-Str. 1  
89257 Illertissen / Germany

Phone: +49 7303 9609-0  
Fax: +49 7303 9609-9999

Email: [sales@weh.com](mailto:sales@weh.com)  
[www.weh.com](http://www.weh.com)