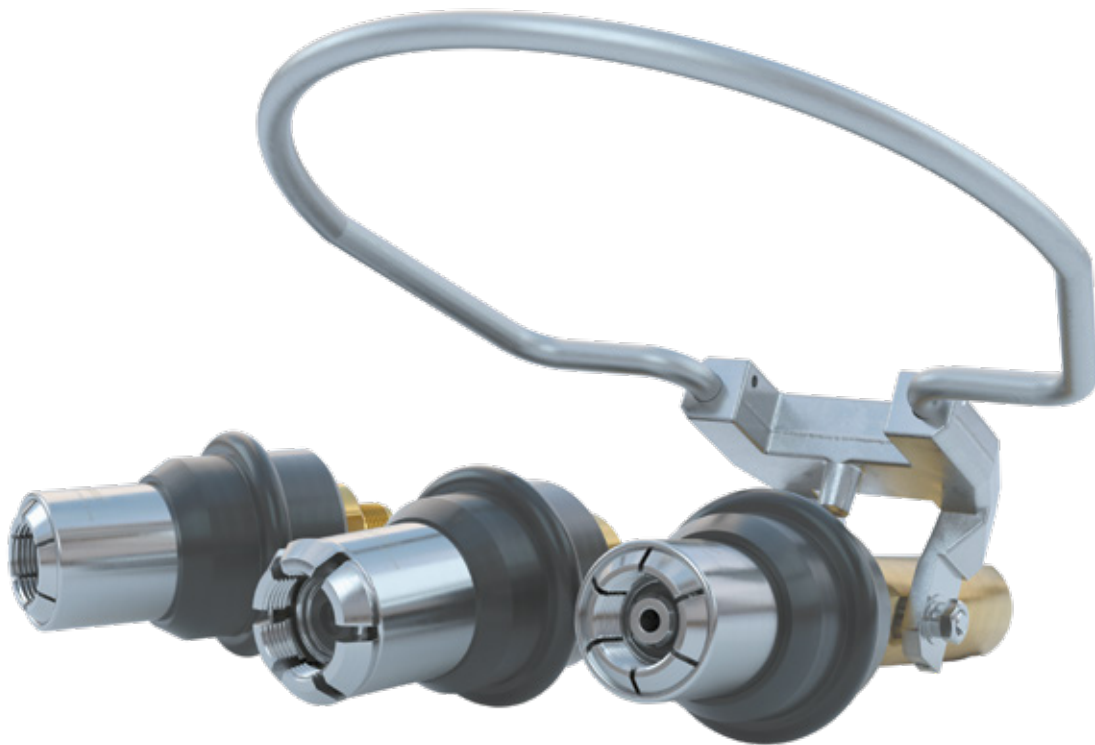


Type **TW52**

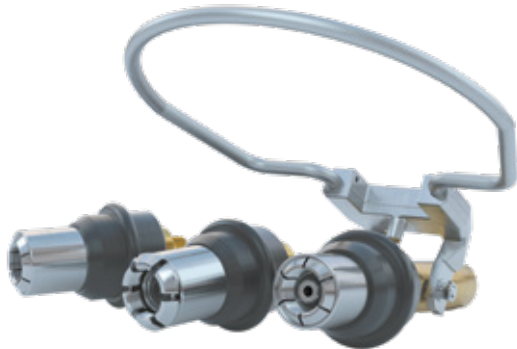
WEH[®] Quick connector for filling and evacuating of gas cylinders

with male thread (with or without a residual pressure valve) with CO₂ or refrigerants



General

DESCRIPTION



Features

- Suitable for filling of CO₂ or refrigerants
- Version for residual pressure valves or non-residual pressure valves available
- Connection in seconds
- No hand tightening required
- High safety due to pressure-assisted piston
- Environmentally friendly - a vent pipe recirculates the vented gas (in conjunction with TVCO₂)
- WEH® Jaw locking mechanism
- High-grade materials

The WEH® TW52 Quick connector has been developed especially for filling gas cylinders with refrigerants or gaseous and liquid CO₂. Connection to the cylinder is made within seconds without tedious screwing and unscrewing, thus preventing RSI resulting in the inflammation of tendons and abrasion of joints.

The TW52 is also suitable for filling one litre cylinders, e.g. for soda drinks.

The WEH® TW52 is equipped with a front seal of EPDM resp. polyurethane. Other sealing materials on request. It is the customer's responsibility to clarify the media compatibility.

The TW52 is optionally available with the WEH® TVCO₂ shut-off valve (see accessories).

This quick connector is available for gas cylinder valves acc. to DIN, BS, NF, CGA etc.



TW52 with TVCO₂ shut-off valve

Application

Quick connector for filling and evacuating (except version with TVCO₂ shut-off valve) of gas cylinders with male thread (with or without a residual pressure valve) with CO₂ or refrigerants.

TECHNICAL DATA

Characteristic	Basic version
Nominal bore (DN)	5 mm
Max. allowable operating pressure PS	250 bar 150 bar (TW52 with TVCO ₂ shut-off valve)
Temperature range	-40 °C up1 x 10 ⁻³ mbar x l/s+40 °C (CO ₂)
Leak rate	1 x 10 ⁻³ mbar x l/s
Connection A	Male thread connection acc. to the corresponding national standard e.g. DIN, CGA, BS, NF etc.
Actuation	Manual actuation via grip sleeve
Material	Corrosion resistant stainless steel and brass
Sealing material	Front seal of EPDM resp. polyurethane (C1-16560, C1-17069)
Design	With or without RPV pin

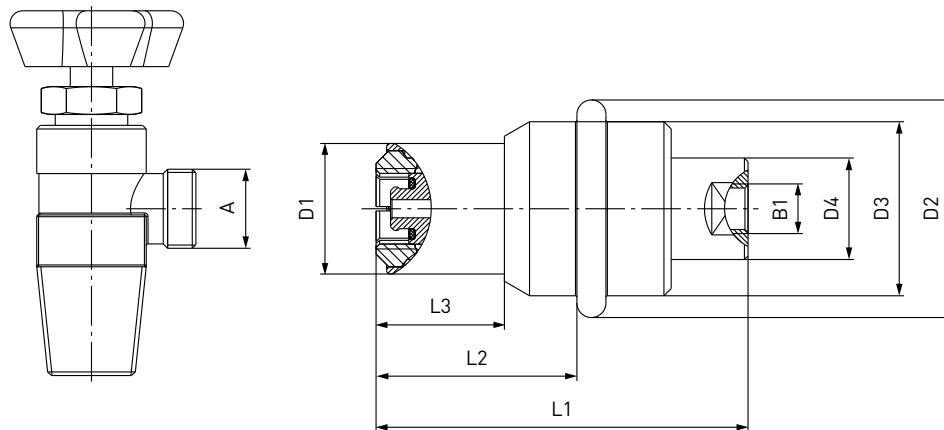
Example of use:



Ordering

ORDERING | WEH® TW52 Quick connector for non-residual pressure valves

approx. dimensions (mm)

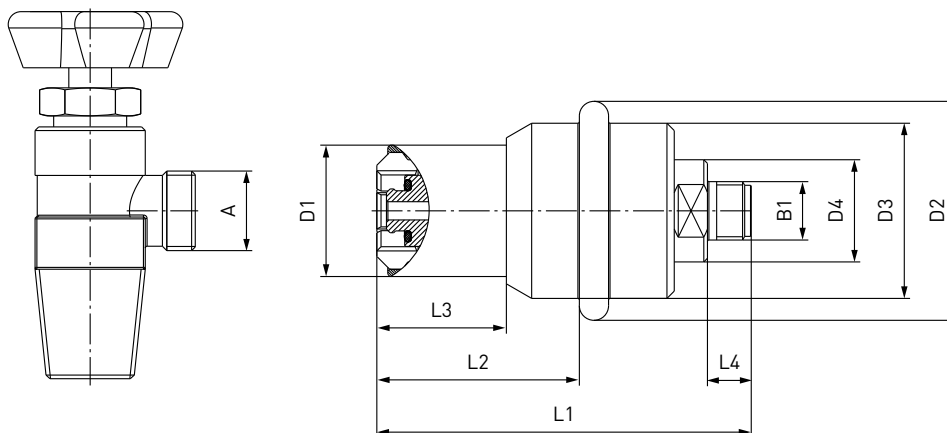


Part No.	Description	A (male thread)	B1 (female thread)	D1	D2	D3	D4	L1	L2	L3
C1-16560-X01	TW52	G1/2"	G1/4"	38	60	48	28	103	55.5	35.5
C1-16564-X01	TW52	W21.8x1/14**	G1/4"	36	60	48	28	103	55.5	35.5

* acc. to DIN 477

ORDERING | WEH® TW52 Quick connector for non-residual pressure valves (suitable for TVCO₂ shut-off valve)

approx. dimensions (mm)



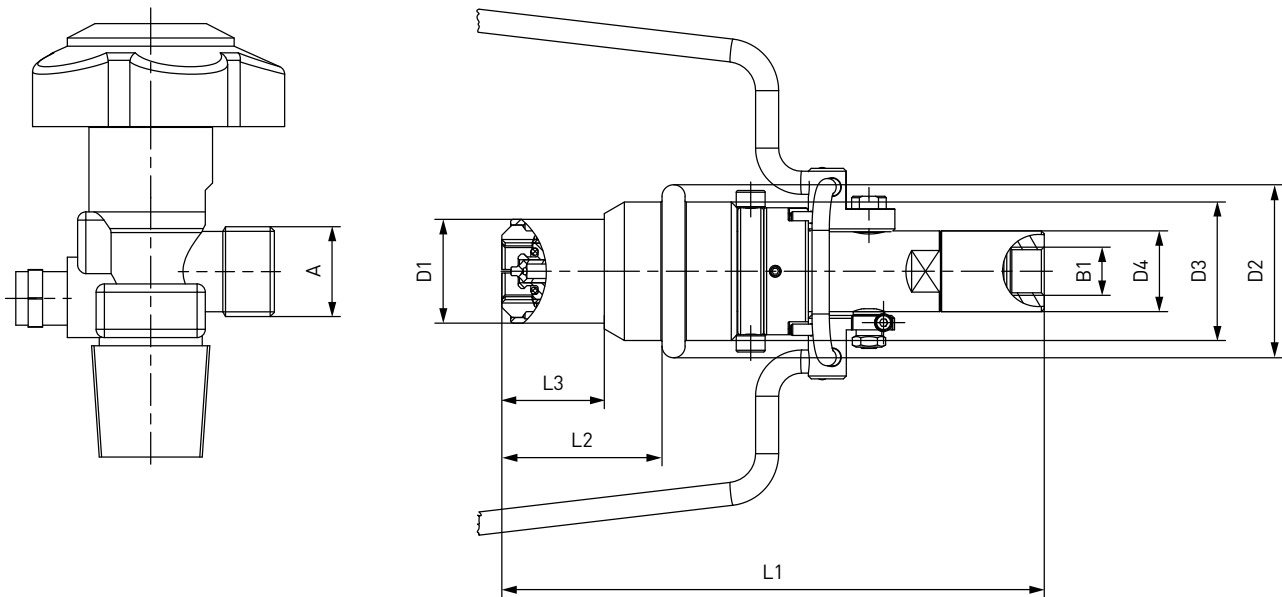
Part No.	Description	A (male thread)	B1 (male thread)	D1	D2	D3	D4	L1	L2	L3	L4
C1-16563	TW52	W21.8x1/14**	M16x1.5	36	60	48	28	103	55.5	35.5	12

* acc. to DIN 477

Ordering

ORDERING | WEH® TW52 Quick connector for residual pressure valves (incl. shut-off valve)

approx. dimensions (mm)



Part No.	Description	A (male thread)	B1 (female thread)	D1	D2	D3	D4	L1	L2	L3
C1-68486	TW52	W21.8x1/14"*	G3/8"	36	60	48	28	188	55.5	35.5

* acc. to DIN 477

Other connector sizes and versions on request.

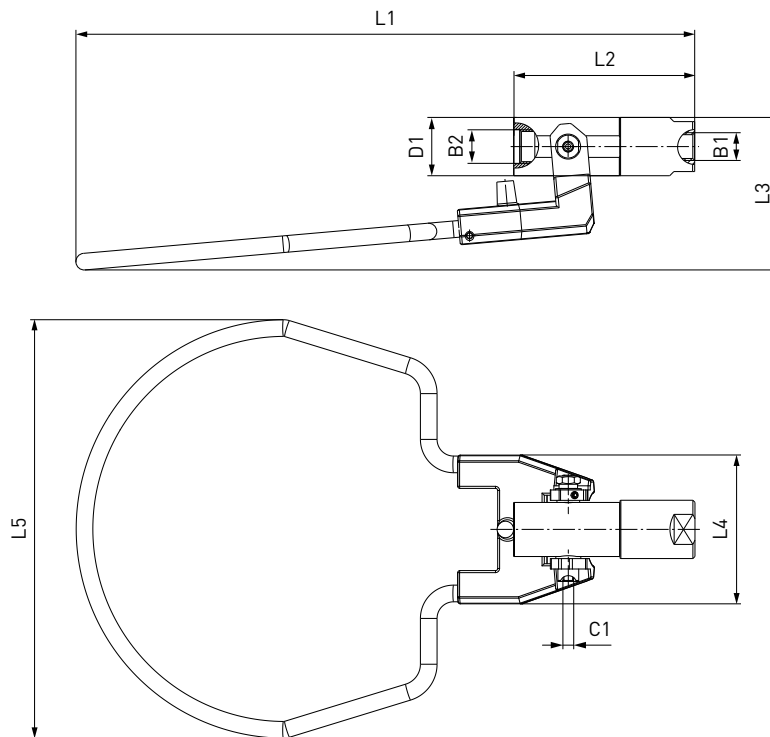
Required information for ordering see page 7, catalog no. 40.

ACCESSORIES

The following accessories are available for the WEH® TW52 Quick connector:

WEH® TVCO₂ Shut-off valve

The WEH® TVCO₂ Shut-off valve enables to start or finish filling. Simply connect the TVCO₂ to the inlet 'B1' of the TW52 quick connector. The residual gas can be vented completely to the system via a recirculation hose. This prevents CO₂ from escaping into the atmosphere.



Part No.	Description	B1 (female thread)	B2 (female thread)	C1	D1	L1	L2	L3	L4	L5
C1-34605	TVCO ₂	G1/4"	M16x1.5	M5	28	297	87	73	71.5	201

Other connector sizes and versions on request.

SPARE PARTS

Various parts are available as spares for the WEH® TW52 Quick connector.

Part No.	Description
On request	Front seal

When ordering the front seal, please indicate the part no. engraved on the connector.

Technical explanations

TECHNICAL EXPLANATIONS

Abbreviations/Definitions

For explanation of abbreviations, definitions of terms and further explanations, see the applicable Technical Appendix of the corresponding catalog or visit www.weh.com

Illustrations

The illustrations and/or images used in these data sheet are particularly provided for illustrative purposes only and may differ in some details from the actual product. For binding information, please refer to your individual orders.

Safe product selection

Our WEH® Products are designed to be operated by qualified professional users (insofar as WEH® Products are also designed to be operated by other users in individual cases, this is explicitly stated in the corresponding operating instructions). Please note that WEH does not know your system and therefore - also due to the large number of different potential applications of WEH® Products - cannot perform tests on all potential types of application. You alone are responsible for the selection, configuration and suitability of WEH® Products, especially according to the requirements of your system. Before purchasing WEH® Products, please particularly ensure that our products are compatible with your intended use, your performance data, your material and fluids, your system concept and your system limits according to our product specifications. Please also consider your technical and legal requirements for operation, handling and maintenance. The quality and safety of WEH® Products is our highest priority. For this reason, WEH® Products may not be used outside the specifications in the relevant data sheets and product descriptions. If you are not sure whether the WEH® Product is suitable for your system and intended use, please contact us in advance. We also strongly recommend that you refrain from using third-party spare parts or a combination of WEH® Products with unsuitable third-party products. You alone are responsible for reviewing the suitability of third-party products. WEH® Products and WEH® Spare parts comply with our quality and safety standards.

Service life

WEH® Products are generally products which may be subject to wear and fatigue during operation and depending on your individual application/use. For details - in particular regarding the corresponding minimum inspection and maintenance intervals – please refer to the respective operating instructions for the WEH® Product.

Explanation on the Pressure Equipment Directive

These WEH® Products are generally classified as pressure accessories in accordance with Article 2 (5) of the Pressure Equipment Directive 2014/68/EU and are considered to be similar to piping. These WEH® Products may not be used as safety accessories. Furthermore, it is pointed out, that these WEH® Products are designed and placed on the market in accordance with the requirements of Article 4 (3) of the Pressure Equipment Directive 2014/68/EU. The assessment with regard to a different classification can, however, be made on request.

External change management

WEH reserves the right to update, optimise and adjust its products continuously. This may result in corresponding changes of the product. Customers will be informed proactively or unsolicited by WEH only in individual cases about product updates, product optimisations and/or product adaptations that have been carried out. You are free to contact WEH at any time to request information about any product updates, product optimisations and/or product adjustments.

© All rights reserved, WEH GmbH Verbindungstechnik.

Any unauthorized copying, distribution or other use of the copyrighted content is strictly forbidden without the written consent of WEH GmbH Verbindungstechnik.

Upon transmission of a newer version of this document, all previous versions are no longer valid. In principle, the latest version of the document is valid. This can be found at www.weh.com.

Our General Terms and Conditions and the Agreement on Protection of Know-How and Quality Assurance (www.weh.com) shall apply to deliveries and other services, unless expressly agreed otherwise.

We do not accept any General Terms and Conditions of the purchaser.

» Contact

More questions? – Great! Don't hesitate to contact our experts.

Manufacturer:

WEH GmbH Precision Connectors

Josef-Henle-Str. 1
89257 Illertissen / Germany

Phone: +49 7303 9609-0

E-Mail: sales@weh.com

Website: www.weh.com