

Type **TN1 H₂ 70 MPa**

WEH[®] Receptacle for hydrogen refueling / filling
of cars and fork-lift trucks or other industrial applications



General

DESCRIPTION



Features

- Low-noise refueling
- Integrated self-cleaning particle filter (20 µm)
- Integrated high-flow check valve
- Sealing-friendly design
- Coding for pressure range / gas type (acc. to table below)

For refueling cars with hydrogen at a pressure range of 700 bar, the WEH® TN1 H₂ 70 MPa Receptacle is available. Due to the aerodynamic design of the internal shapes of the receptacle, noise during refueling process is mostly eliminated, while at the same time maximum flow rate is enabled. The internal seals are arranged to largely prevent damage to the sealing components. That is why the WEH® TN1 H₂ 70 MPa proves to be extremely robust and durable, minimizing downtimes due to low maintenance.

The receptacle is equipped with an integrated check valve and has a coding for pressure range / gas type.

Enhanced safety by integrated particle filter

The use of an integrated particle filter prevents the ingress of dirt particles from the outside and therefore leakage at the receptacle is almost eliminated.

Application

Receptacle for hydrogen refueling / filling of cars and fork-lift trucks or other industrial applications, to be used with WEH® Fueling nozzles acc. to opposite table.

		TK17 H ₂ / TK16 H ₂			
		25 MPa	35 MPa	35 MPa HF*	70 MPa
TN1 H ₂ 70 MPa	70 MPa	✓	✓	✓**	✓

* HF = High-Flow
** except TK16 H₂ High-Flow

TECHNICAL DATA

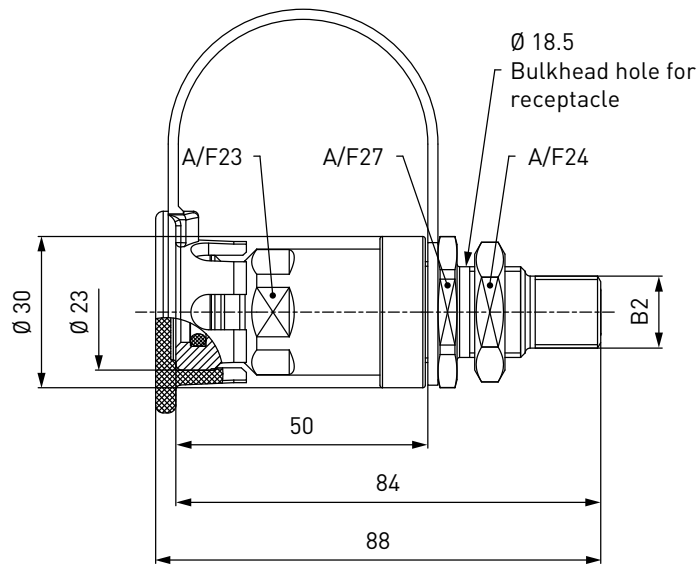
Characteristics	Basic version
Nominal bore (DN)	3 mm
Pressure range	PN = 70 MPa PS = 87.5 MPa
Temperature range	-40 °C up to +85 °C
Material	Corrosion resistant
Sealing material	Hydrogen resistant
Design	With protection cap, integrated particle filter (20 µm) and integrated check valve
Conformity / Tests / Approvals	[e 1] 00 0010 (Regulation (EC) No. 79/2009) Tests acc. to SAE J2600:2002 SAE J2799 GB/T 26779-2021

Other designs on request

Ordering

ORDERING | WEH® TN1 H₂ 70 MPa Receptacle with male thread

approx. dimensions (mm)

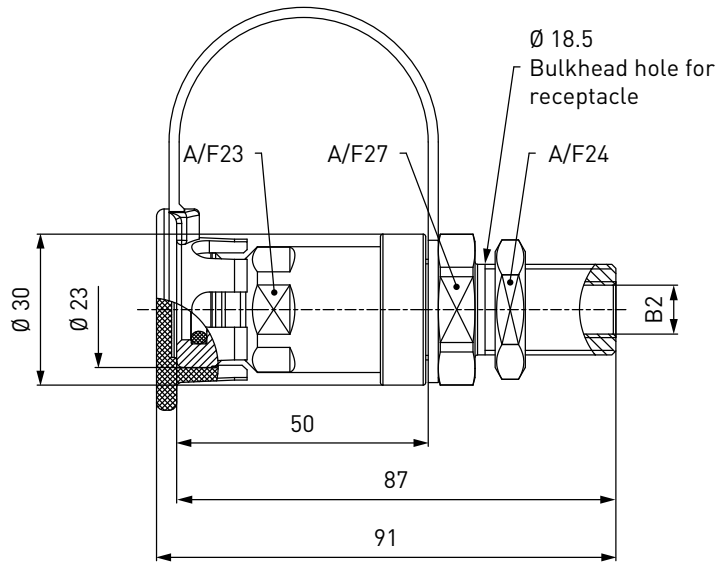


Part No.	Description	DN	Pressure (PS)	B2 (male thread)
C1-84087	TN1 H ₂ 70 MPa (EC79)	3	87.5 MPa	UNF 9/16"-18 for sealing with O-Lok® Face Seal* for tube Ø 6 (1/4")

* Face Seal acc. to SAE J1453

ORDERING | WEH® TN1 H₂ 70 MPa Receptacle with female thread (autoclave)

approx. dimensions (mm)



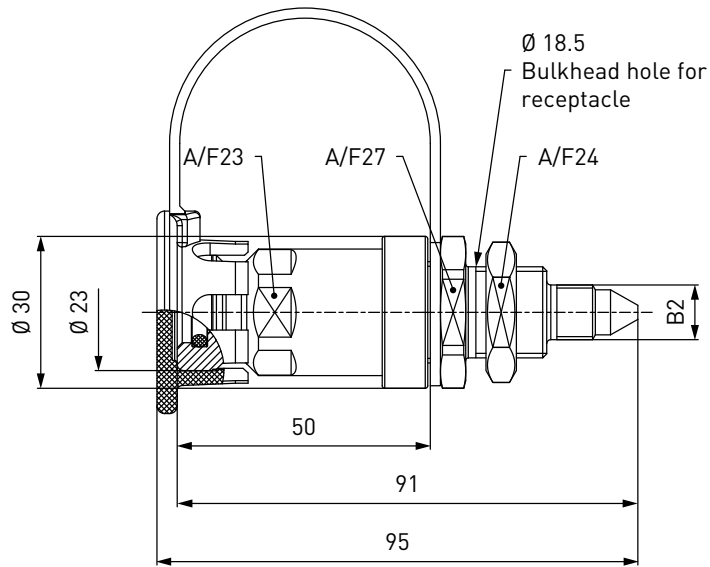
Part No.	Description	DN	Pressure (PS)	B2 (female thread)
C1-87745	TN1 H ₂ 70 MPa (EC79)	3	87.5 MPa	UNF 7/16"-20*

* MP-fitting, 60° inner cone

Ordering

ORDERING | WEH® TN1 H₂ 70 MPa Receptacle with male thread (autoclave)

approx. dimensions (mm)



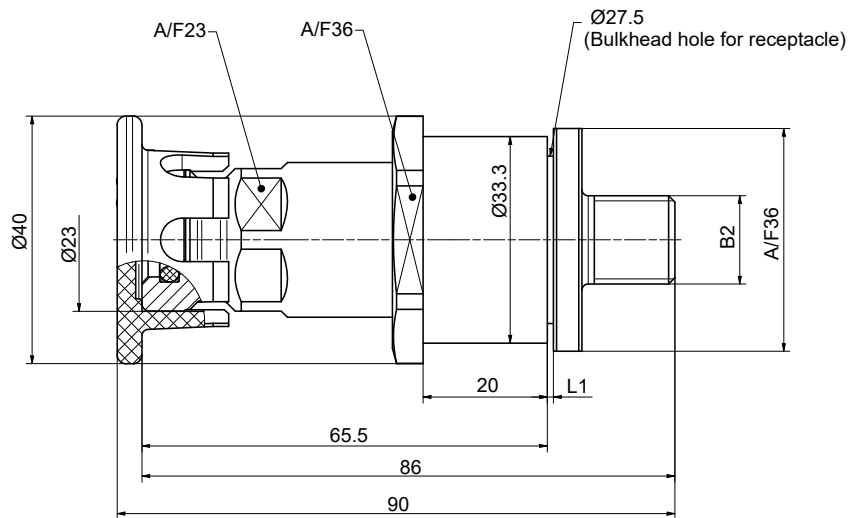
Part No.	Description	DN	Pressure (PS)	B2 (male thread)
C1-88565	TN1 H ₂ 70 MPa (EC79)	3	87.5 MPa	UNF 7/16"-20*

* 60° outer cone

Ordering / Spare parts

ORDERING | WEH® TN1 H₂ 70 MPa Receptacle with male thread, prepared for data interface

approx. dimensions (mm)



Part No.	Description	DN	Pressure (PS)	L1	B2 (male thread)
C1-172492	TN1 H ₂ 70 MPa (EC79)	3	87.5 MPa	1**	UNF 9/16"-18 for sealing with O-Lok® Face Seal* for tube Ø 6 (1/4")

* Face Seal acc. to SAE J1453

** Please indicate when ordering if thicker sheet metals are needed!
Data interface not included!

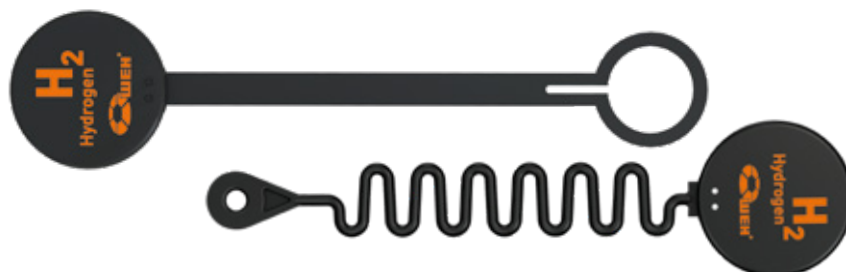
Other connection sizes and types (e.g. Cone and Thread Fittings or VOSSLok⁴⁰) on request.

SPARE PARTS

Various parts are available as spares for the WEH® TN1 H₂ 70 MPa Receptacle.

Protection cap

Protection cap with a strap to protect the receptacle from dirt ingress.



Part No.	Description
W87803	Protection cap
W85984	Protection cap for receptacles prepared for data interface

Technical explanations

TECHNICAL EXPLANATIONS

Abbreviations/Definitions

For explanation of abbreviations and definitions of terms see applicable Technical Appendix of the corresponding catalog or www.weh.com

Illustrations

The illustrations and/or images used in these data sheet are particularly provided for illustrative purposes only and may differ in some details from the actual product. For binding information, please refer to your individual orders.

Safe product selection

Our WEH® Products are designed to be operated by qualified professional users (insofar as WEH® Products are also designed to be operated by other users in individual cases, this is explicitly stated in the corresponding operating instructions). Please note that WEH does not know your system and therefore - also due to the large number of different potential applications of WEH® Products - cannot perform tests on all potential types of application. You alone are responsible for the selection, configuration and suitability of WEH® Products, especially according to the requirements of your system. Before purchasing WEH® Products, please particularly ensure that our products are compatible with your intended use, your performance data, your material and fluids, your system concept and your system limits according to our product specifications. Please also consider your technical and legal requirements for operation, handling and maintenance. The quality and safety of WEH® Products is our highest priority. For this reason, WEH® Products may not be used outside the specifications in the relevant data sheets and product descriptions. If you are not sure whether the WEH® Product is suitable for your system and intended use, please contact us in advance. We also strongly recommend that you refrain from using third-party spare parts or a combination of WEH® Products with unsuitable third-party products. You alone are responsible for reviewing the suitability of third-party products. WEH® Products and WEH® Spare parts comply with our quality and safety standards.

Service life

WEH® Products are generally products which may be subject to wear and fatigue during operation and depending on your individual application/use. For details - in particular regarding the corresponding minimum inspection and maintenance intervals - please refer to the respective operating instructions for the WEH® Product.

Explanation on the Pressure Equipment Directive

These WEH® Products are generally classified as pressure accessories in accordance with Article 2 (5) of the Pressure Equipment Directive 2014/68/EU and are considered to be similar to piping. These WEH® Products may not be used as safety accessories. Furthermore, it is pointed out, that these WEH® Products are designed and placed on the market in accordance with the requirements of Article 4 (3) of the Pressure Equipment Directive 2014/68/EU. The assessment with regard to a different classification can, however, be made on request.

External change management

WEH reserves the right to update, optimise and adjust its products continuously. This may result in corresponding changes of the product. Customers will be informed proactively or unsolicited by WEH only in individual cases about product updates, product optimisations and/or product adaptations that have been carried out. You are free to contact WEH at any time to request information about any product updates, product optimisations and/or product adjustments.

© All rights reserved, WEH GmbH Verbindungstechnik.

Any unauthorized copying, distribution or other use of the copyrighted content is strictly forbidden without the written consent of WEH GmbH Verbindungstechnik.

Upon transmission of a newer version of this document, all previous versions are no longer valid. In principle, the latest version of the document is valid. This can be found at www.weh.com.

Our General Terms and Conditions and the Agreement on Protection of Know-How and Quality Assurance (www.weh.com) shall apply to deliveries and other services, unless expressly agreed otherwise.

We do not accept any General Terms and Conditions of the purchaser.

WEH® is a registered trademark of WEH GmbH Verbindungstechnik.

» Contact

More questions? – Great! Don't hesitate to contact our experts.

Manufacturer:

WEH GmbH Gas Technology

Josef-Henle-Str. 1

89257 Illertissen / Germany

Phone: +49 7303 95190-0

E-Mail: h2sales@weh.com

Website: www.weh.com