

Type **TVR2**

WEH[®] Check valve

for use with gaseous media and for mounting into gas mixing plants



General

DESCRIPTION



Features

- Extremely leak tight
- Very low noise when in use due to the optimised internal gas flow
- Wear and corrosion resistant
- Robust construction
- Simple installation

WEH has developed a new check valve specially designed for mounting into gas mixing plants. It is available for inert / flammable gases and oxygen.

The check valve system is designed to minimize the effect of dirt particles on the sealing components within the unit. The check valves are silent in use even under high flow conditions and offer high leak integrity, thus being perfectly suited for applications with gaseous media. They also feature robust interior construction making them very durable in operation.

Application

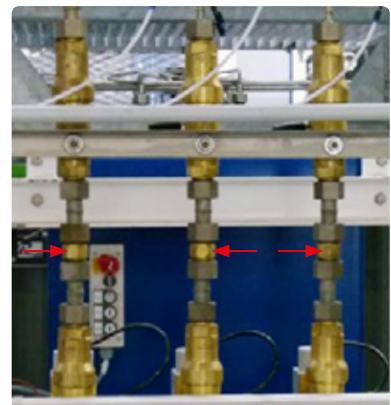
Check valve for use with gaseous media and for mounting into gas mixing plants. Also suitable for vacuum applications.

TECHNICAL DATA

Characteristic	Basic version	
Nominal bore DN	12 mm	
Pressure range	PN = 350 bar PS = 420 bar PT = 630 bar	
Leak rate	5 x 10 ⁻³ mbar x l/s	
Medium	Inert/flammable gases	Oxygen
Temperature range	+5 °C up to +95 °C	+5 °C up to +60 °C
Material	Housing of brass, valve body of stainless steel	Housing of brass, valve body of Monel®
Ventilsitz	Cone seal of PEEK / corrosion resistant steel	Cone seal of copper / Monel®
Sealing material	EPDM	EPDM
Registration	Adiabatic ignition test available	

Other designs on request

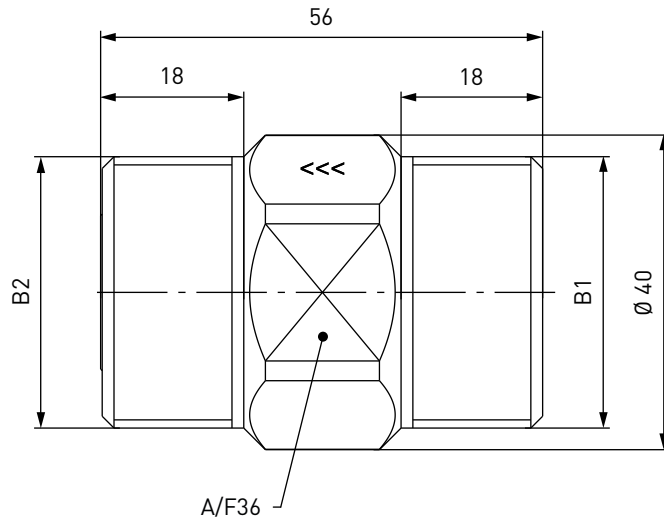
Example of use:



Ordering / Accessories

ORDERING | WEH® TVR2 Check valve

approx. dimensions (mm)



Part No.	Description	Cracking pressure PC (bar)	Inlet B1 (external thread)	Connection B2 (external thread)
C1-77200-X01	TVR2	0.15 ± 0.05	UNF 1 3/8"-12*	UNF 1 3/8"-12*
C1-93517-X01**	TVR2	0.22 ± 0.05	UNF 1 3/8"-12*	UNF 1 3/8"-12*

* acc. to SAE J514
 ** for oxygen

Other connector sizes and versions on request.

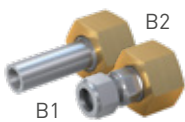
Required information for ordering see page 7, catalogue no. 20.

ACCESSORIES

The following accessories are available for the WEH® TVR2 Check valve:

Adaptors / welding adaptors

For the ports 'B1/B2' of the check valve various adaptors and welding adaptors are available.



Part No.	Description	Connection B1	Connection B2 (internal thread)
C1-98542	Adaptor	Tube Ø 12**	UNF 1 3/8"-12 plane sealing
C1-75267	Adaptor	Tube Ø 16***	UNF 1 3/8"-12 plane sealing
C1-75940	Adaptor	Tube Ø 16**	UNF 1 3/8"-12 plane sealing
C1-88193*	Welding adaptor	Tube Ø 20	UNF 1 3/8"-12 plane sealing
C1-84783	Welding adaptor	Tube Ø 16	UNF 1 3/8"-12 plane sealing

* for oxygen
 ** double ferrule fitting
 *** 24° cone (Ermeto)

Other products

OTHER PRODUCTS

You will find more products in our current catalogue no. 20



Further information on our homepage
www.weh.com

Abbreviations/Definition

Explanation of abbreviations see technical appendix in the catalogue or www.weh.com

Safe product selection

Our WEH® Products are designed to be operated by qualified professional users (insofar as WEH® Products are also designed to be operated by other users in individual cases, this is explicitly stated in the corresponding operating instructions). You alone are responsible for the selection of WEH® Products and their configuration according to the requirements of your system. In doing so, please particularly consider your intended use, your performance data, your material compatibility, your system concept and your system limits as well as your technical and legal requirements for operation, handling and maintenance. The quality and safety of WEH® Products is our highest priority. For this reason, WEH® Products may not be used outside the specifications in the relevant data sheets and product descriptions. We also strongly recommend that you refrain from using third-party spare parts or a combination of WEH® Products with unsuitable third-party products. You alone are responsible for reviewing the suitability of third-party products. WEH® Products and WEH® Spare parts comply with our quality and safety standards.

Explanation on the Pressure Equipment Directive

These WEH® Products are generally and exclusively classified as pressure accessories for piping in accordance with Article 2 (5) of the Pressure Equipment Directive 2014/68/EU. These WEH® Products may not be used (i) as safety accessories or (ii) for vessels as defined by the Pressure Equipment Directive 2014/68/EU. Therefore, the application of these WEH® Products must comply with their classification as pressure accessories for piping. The assessment with regard to a different classification can, however, be made on request.

External change management

WEH reserves the right to update, optimise and adjust its products continuously. This may result in corresponding changes of the product. Customers will be informed proactively or unsolicited by WEH only in individual cases about product updates, product optimisations and/or product adaptations that have been carried out. You are free to contact WEH at any time to request information about any product updates, product optimisations and/or product adjustments.

© All rights reserved, WEH GmbH. Any unauthorized use is strictly forbidden. Subject to alteration.
No liability will be assumed for any content. Herewith previous versions are no longer valid.

» Contact

For queries and further information, please do not hesitate to contact us.

Manufacturer:

WEH GmbH Precision Connectors

Josef-Henle-Str. 1
89257 Illertissen / Germany

Phone: +49 7303 9609-0

Email: sales@weh.com

www.weh.com